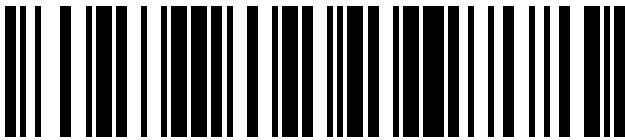


# FREEDOM NUT PLATE SET M10

## RIPFZM10



Admiral Staging the Netherlands  
www.admiralstaging.com +31 534 301 201

### SCOPE

The nut plate set is used to connect a clamp or coupler directly to the length profile.



### WARNING

Inspect this product before use. In case of material defects, this product should be taken out of service.

### MAINTENANCE

Please do not use aggressive cleaning agents such as solvents and/or corrosive substances. Clean the product with a cloth with a soft detergent.

After cleaning the product, dry it with a soft cloth. Check the product for worn, tear and/or lost items.

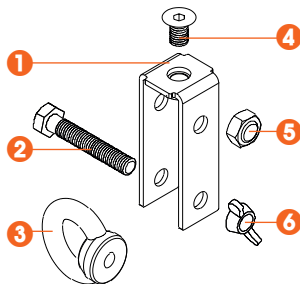
### WARNING

By wear and/or missing of the proper components this product should be immediately taken out of service. Consult your supplier for advise.

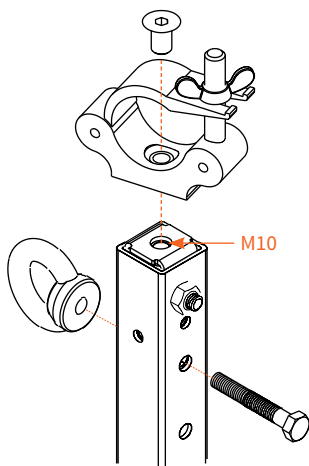
Repair / maintenance is only permitted by a qualified person. In case of doubt, consult your supplier.

### CONTENT

- 1 1 x PART nutplate top M10
- 2 2 x M10x 55 six sided bolt 8.8 black
- 3 1 x Lifting eye WLL 230kg M10 internal black
- 4 1x M10x 25 Hexagon socket bolt for halfcoupler
- 5 1 x M10 nut nyloc black
- 6 1 x M10 wing nut D316 black

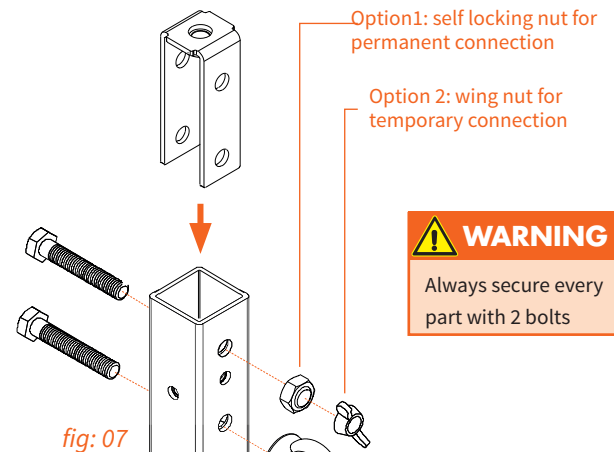


### USE



- 1 Connect the clamp or coupler (not included) to the nut plate set.  
  
Make sure a clamp or coupler is used with appropriate Safety factor for the intended use. Tighten with a torque wrench.
- 2 Connect a Safety set (provided with all Freedom nutplate sets) at the top by using a bolt.

### INSTALLATION



**WARNING**  
Always secure every part with 2 bolts

In case of assembling a "Single rigger" connect two Nutplate sets, at the top and bottom of the profile. When assembling a "Down rigger", connect the Nut plate set at the top of the profiles.

Choose your nuts depending on the use, permanent (option 1) or temporary (option 2). Tighten the self-locking nuts in such a way that three threads of the bolt are visible from the nut.



Download and read the full manual about our Freedom System before use: [admiralstaging.com](http://admiralstaging.com)