

CM60DTD

6.5" two-way, thin edge ceiling loudspeaker, with back can



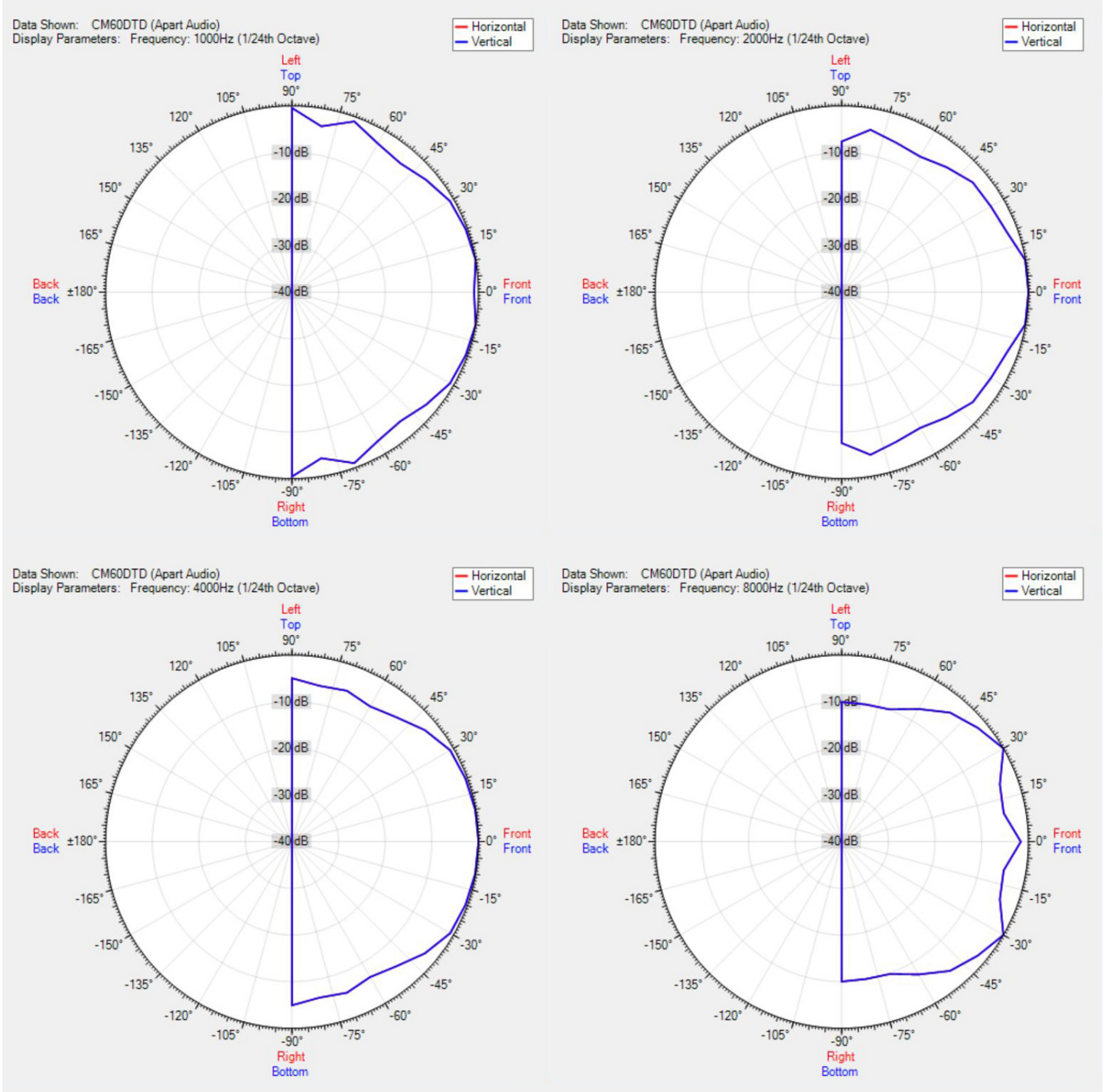
The Apart CM60DTD 6.5" two-way versatile built-in loudspeaker is suitable for the distribution of speech and music at a higher volume level. It provides a powerful high-end, dynamic, warm sound due to the tuned bass reflex port and controlled performance.

The loudspeaker can be installed by two loudspeaker clamps only, which speeds-up installation and reduces labour time. The 70/100 volt power tapping can be selected on the front and also offers 16 ohms connectivity. The CM60DTD comes with thin edge grille and integrated neodymium grille fixing magnets which allows an inconspicuous integration matching the surroundings of your venue.

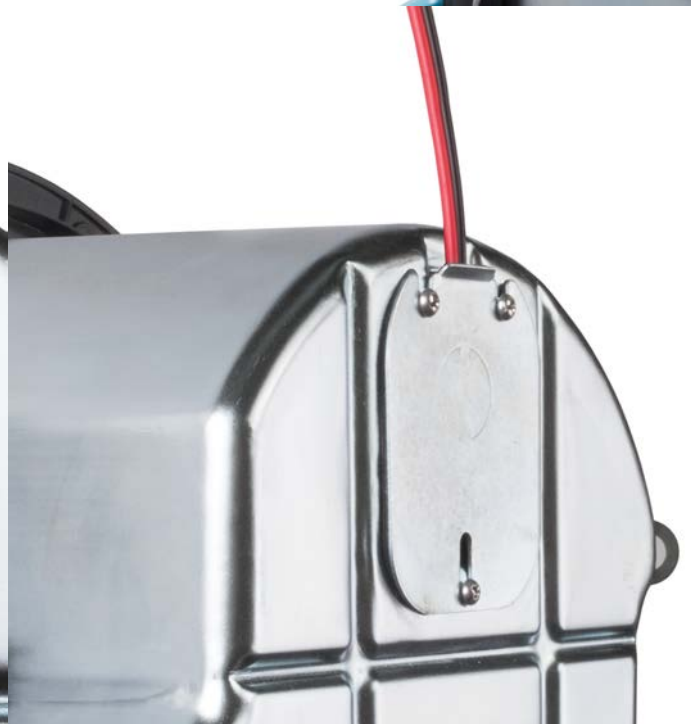
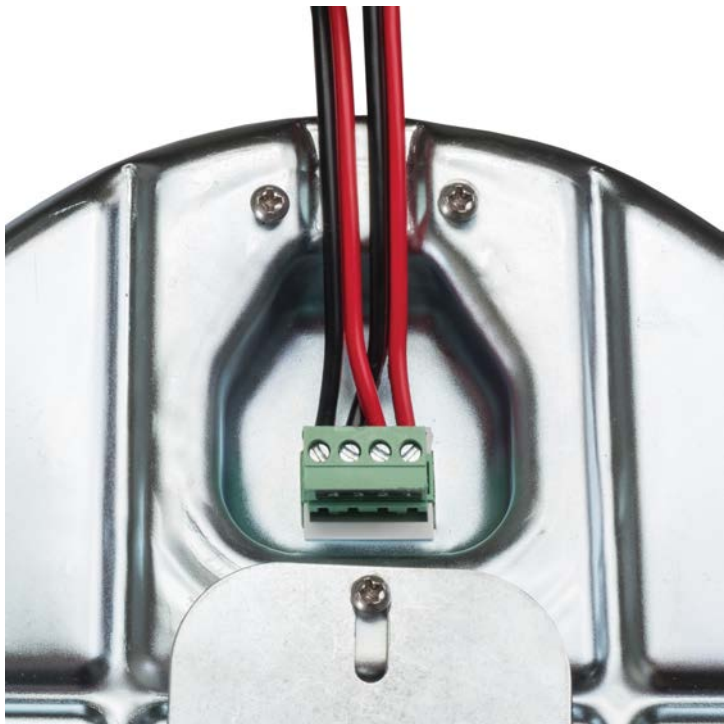
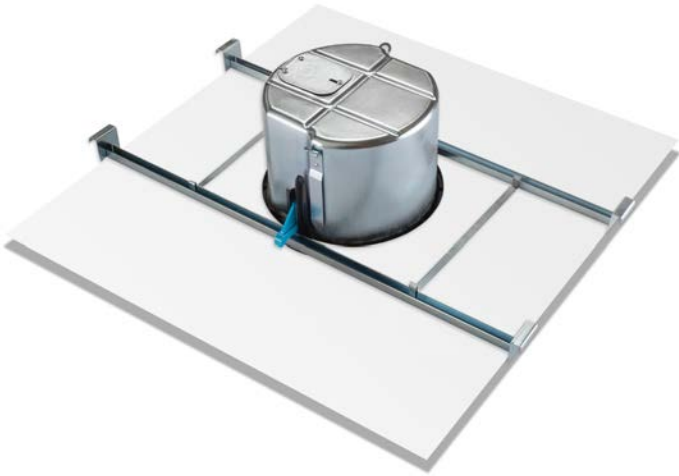
TECHNICAL SPECIFICATIONS

outside diameter in mm	258	depth in mm	157
cutout in mm	232	installation grip range in mm	3 - 65
loudspeaker system	2-way	woofer size in inch	6.5
woofer cone material	coated paper	tweeter size in inch	1
mounting system	2 screws	colour	white
100V transformer power taps in watts	60 - 30 - 15 - 7.5	70V transformer power taps in watts	60 - 30 - 15 - 7.5 - 3.75
impedance in ohms	16	low impedance dynamic power in watts	120
low impedance RMS power in watts	60	SPL 1W/1m in dB	91
max SPL 1m in dB	110	frequency response in Hz	65 - 20K
main construction material	ABS plastic	grille main material	steel
IP rating		applicable low impedance	yes
applicable in 100V	yes	Horizontal dispersion angle 1000 Hz	180°
Vertical dispersion angle 1000 Hz	180°	closest RAL colour (subject to deviations)	RAL9010
Net weight product in kg	4.01		

POLAR PLOTS

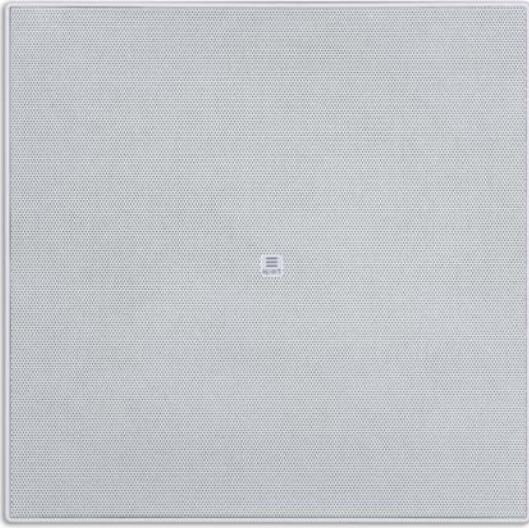


MORE PICTURES







ACCESSORIES**SQGR**

Optional square grille for CM Design Series-sold per 12 pcs