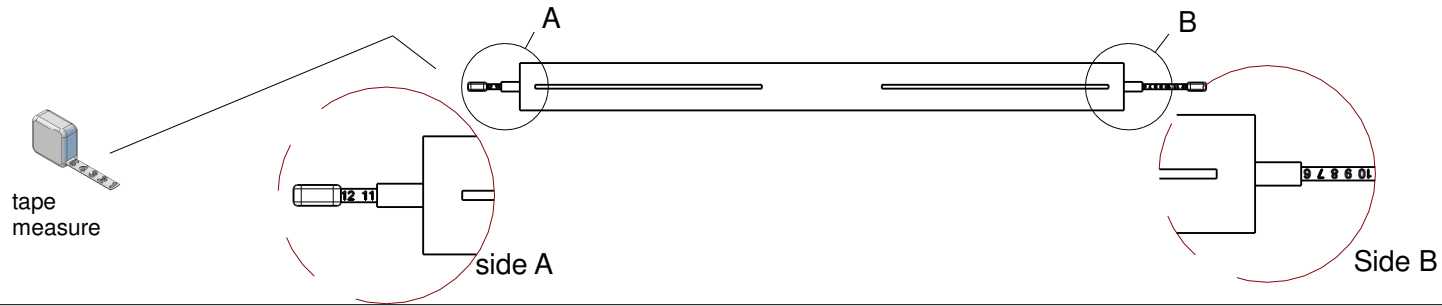


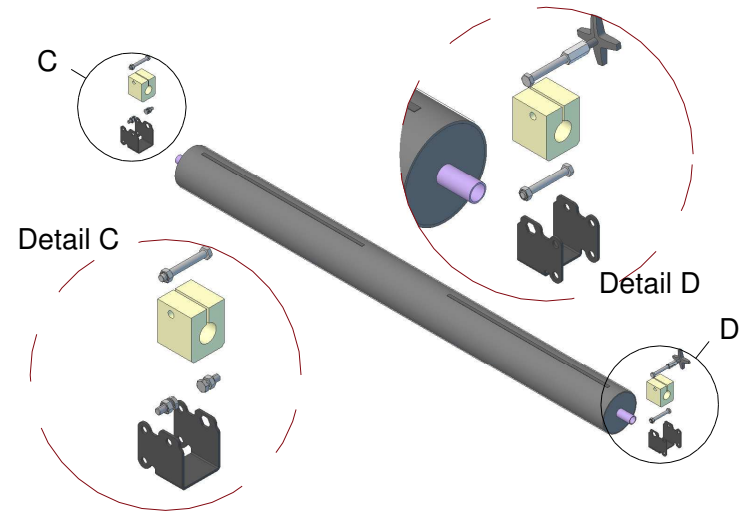
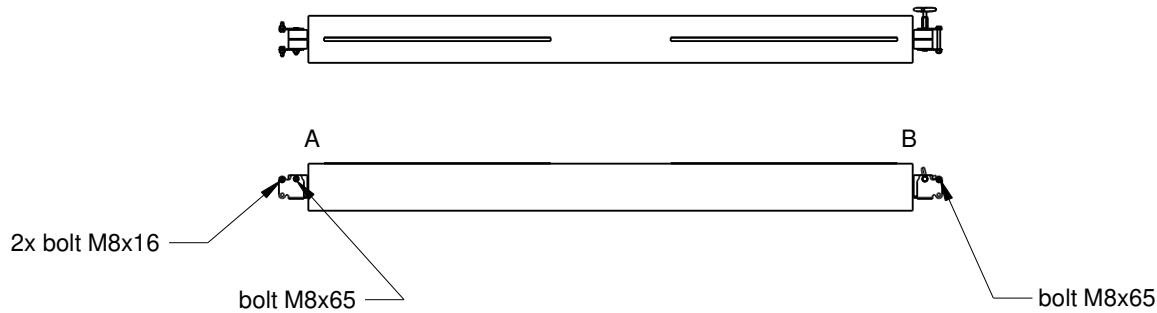
STEP 1:

determen open and closed side of tube



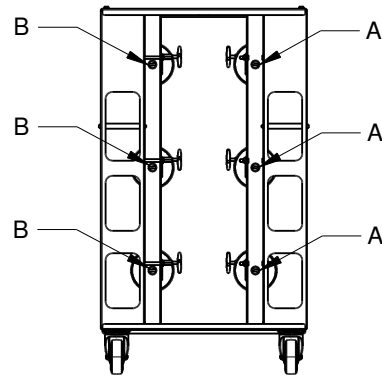
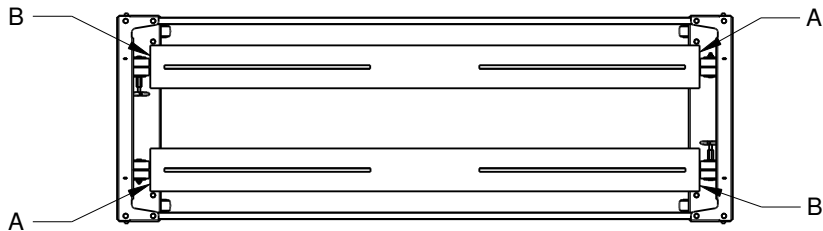
STEP 2:

assemble brackets



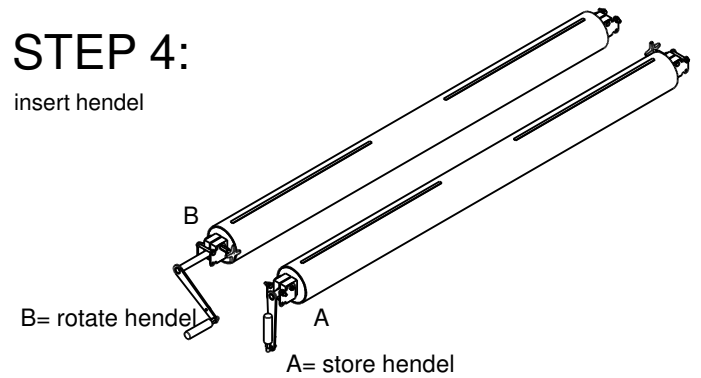
STEP 3:

take care about direction A-B in transport cart



STEP 4:

insert hendel



Product: Assembly instruction

Code: