



**EASY TILT  
 ADJUSTMENT**

# BT7511

## FLAT SCREEN WALL MOUNT WITH TILT

Designed to mount small flat screens, the BT7511 features easy tilt adjustment of +17° / -10° and is suitable for screens up to 20kg, the wall plate features 'OWLS' on wall levelling system to ensure a straight and smart installation and comes supplied with security screws to help prevent unauthorized removal of the screen. The BT7511 is also compatible with B-Tech's range of poles and collars, increasing the number of different ways it can be mounted.

### SPECIFICATION

Recommended screen size	up to 28"
Max load	20kg
VESA® compatibility	up to 100 x 100
Tilt adjustment	+17 / -10°
Distance from wall	55mm
Colour	Black

### FEATURES

- Easy tilt adjustment
- Features 'OWLS' On Wall Levelling System
- Compatible with B-Tech System 2 professional range
- Mounts to B-Tech BT7850 poles using x1 BT7841 Accessory Collar
- Security locking screws and Allen key provided help prevent unauthorised removal of the screen
- Simple 'hook-on' installation
- All mounting hardware included



Easy tilt adjustment of +/-18°



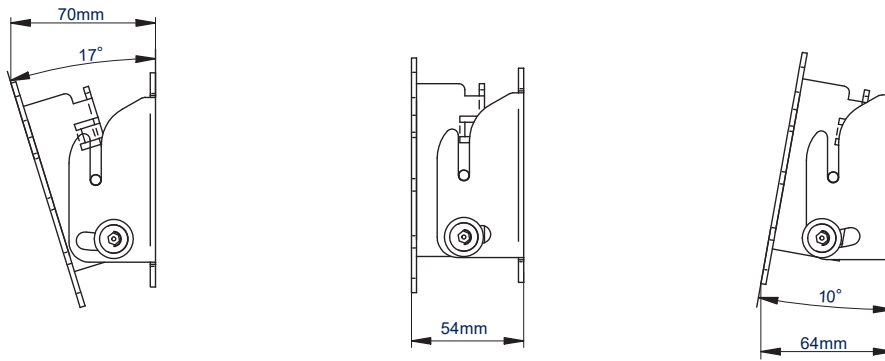
'OWLS' On Wall Levelling System



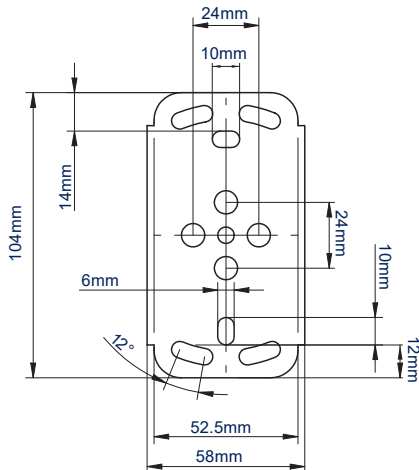
Security locking screws help prevent unauthorised removal of the screen



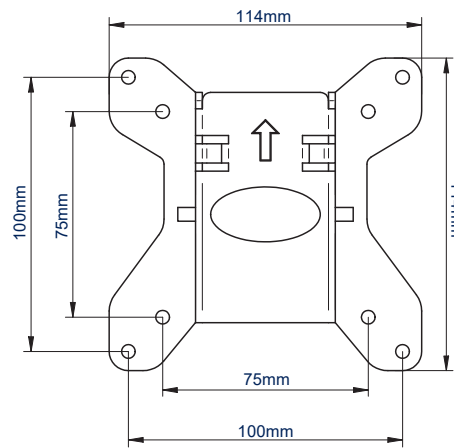
Compatible with B-Tech's professional range of poles and collars



TILT RANGE - SIDE VIEW



WALL PLATE - FRONT VIEW



INTERFACE PLATE - FRONT VIEW

PACKING INFORMATION

ORIGINAL DESIGNS BY B-TECH AV MOUNTS - REGISTERED DESIGNS & PATENTS APPLY

COLOUR:	ORDER REF:	EAN CODE:	MASTER CARTON QTY:	INNER CARTON QTY:	MASTER CARTON WEIGHT:	MASTER CARTON CUBE:
Black	BT7511/B	5019318751127	16	0	10.5kg	0.027cbm

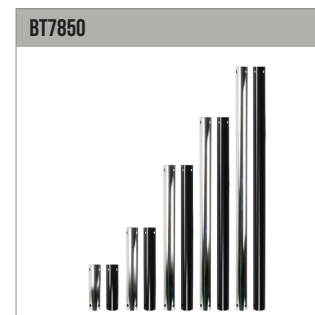
RELATED PRODUCTS AND ACCESSORIES OF THE BT7511



**BT7518**  
Flat Screen Wall Mount with Tilt & Swivel for screens up to 28"



**BT7822**  
Heavy Duty Floor / Ceiling Mount  
Can be used in conjunction with B-Tech poles and collars to create pole mounted solutions



**BT7850**  
Ø50mm Poles available in different lengths up to 3m



**BT7841**  
Accessory Collars attaches the mount to Ø50mm poles

© 2015 B-Tech Professional. Design & Manufacture of B-Tech AV Mounts is a registered trademark of B-Tech Professional. All rights reserved. We warrant the quality of our products and services. B-Tech Professional and its subsidiaries are registered trademarks of B-Tech Professional. Design & Manufacturing Limited. B-Tech Professional is not liable for loss or damage caused by improper or misuse of our products. Any reproduction or transmission or replication of any part of this specification is strictly prohibited unless prior written permission has been granted by B-Tech Professional. Design & Manufacturing Limited. 151021