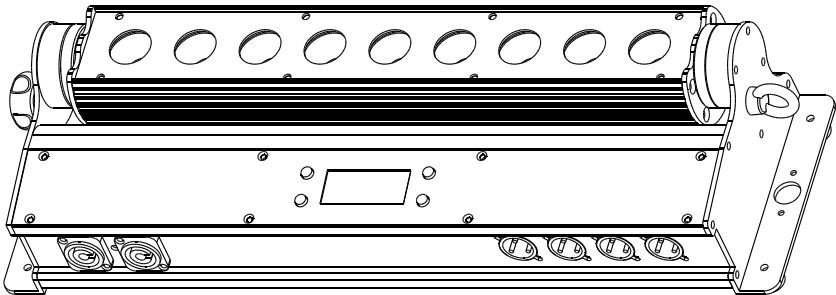




LEDWash CW-WW

USER MANUAL



1. BEFORE YOU BEGIN

What is included

- 1 x Fixture
- 1 x Powercable with plug
- 1 x UserManua

Unpacking Instructions

Immediately upon receiving a fixture, carefully unpack the carton; check the contents to ensure that all parts are present, and have been received in good condition. Notify the shipper immediately and retain packing material for inspection if any parts appear damaged from shipping or the carton itself shows signs of mishandling. Save the carton and all packing materials. In the event that a fixture must be returned to the factory, it is important that the fixture be returned in the original factory box and packing.

AC POWER

This fixture has an auto-switching switch-mode power supply that can accommodate a wide range of input voltages. The only thing necessary to do before powering on the unit is to make sure the line voltage you are applying is within the range of accepted voltages. This fixture will accommodate between 100V and 240VAC 50-60Hz. Each light is connected end to end by the power socket "POWER IN" and "POWER OUT" on the light



Help preserve the environment! Ensure that this product is recycled at the end of its life. Your supplier can give details of local arrangements for the disposal of products.

Safety Instructions



WARNING!

Please read these instructions carefully, which includes important information about the installation, usage and maintenance of this product..

The following symbols are used to identify important safety information on the product and in this manual:



DANGER!
Safety hazard.
Risk of severe injury or death



DANGER!
Hazardous Voltage. Risk of lethal or severe electric shock.



WARNING!
Fire hazard



WARNING!
LED light emission. Risk of eye injury.



WARNING!
Refer to user

This light belongs to grade I protection device, therefore the light must connect to the earth excellently. And the power connection must be operated by the professional technician.

Make sure that the working voltage will not higher or lower than the rated value.

Make sure that the cable didn't be damage or lacerated by sharp.

The light must be power off when it's standing idle or before clearing.

The cable must with plug, and you must pull out the cable by handle the plug.

Please be careful when installing the lighting. Never touch the bared cable, or it will cause the deadly electric shock.

Please use the suitable and safe cable to connect the light.

Please never remodel the light randomly, we will not take the guarantee for the faulty and damage which caused by dismantle、repair or remodel of the nonprofessional person.

Maximum ambient temperature 40°C. Do not operate fixture at temperatures higher than this.

Never connect the device to a dimmer pack.

Do not daisy chain power to more than 8 units @ 120V and 15 units @ 230V.

2.INTRODUCTION

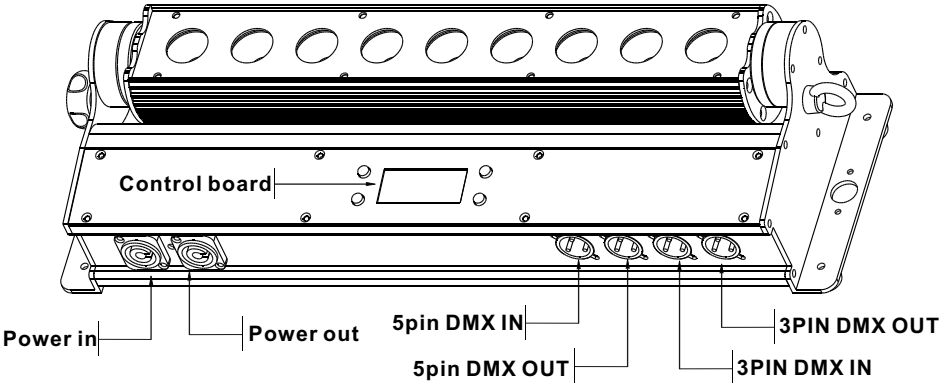
Specifications

Voltage Rating: AC100V~240V 50-60Hz
Power Rating: 50W
Cos ϕ :0.67
Power Usage: 130VA
LED Quantity: 9X2-in-1(warm white +cool white)
LED: 660mA
Beam Angle: 50°
Ingress Protection: indoor
Product Size: 480x140x105mm
Package Size: 510x210x185mm
N/W:3.5Kg

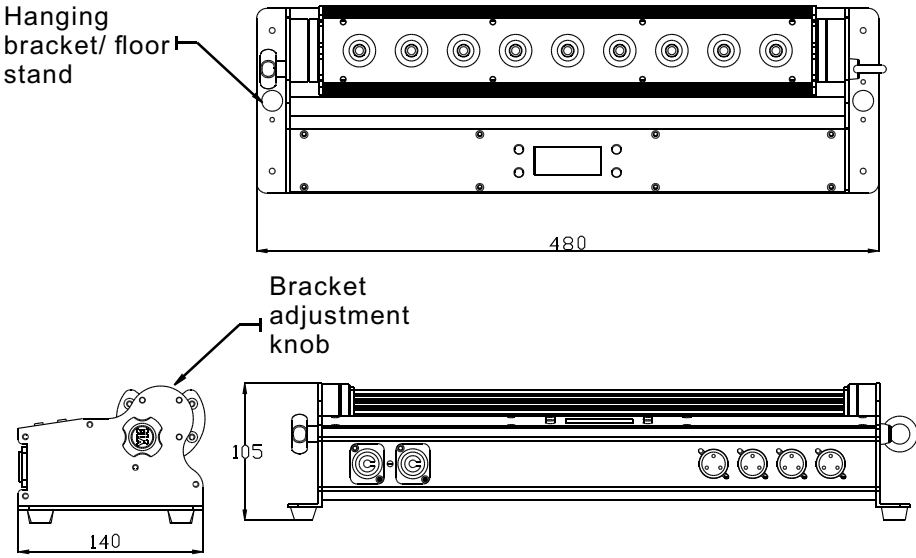
Features

Color Temperature: 2800K~7200K (Adjustable)
CRI: >90Ra
LED display with password protection
Strobe/ White CT Macro / white balance
Operating Modes: DMX512 Connection with ID Address/Master & Slave...
DMX Channels: 02CH/03CH/07CH
2-channel: Dimmer+White CT Macro
3-channel: Dimmer+Cool White + Warm White
7-channel: Dimmer+Cool White + Warm White+White CT Macro + Strobe
+ Dimmer speed+ ID Address

Product Overview



Dimensions



3.SETUP

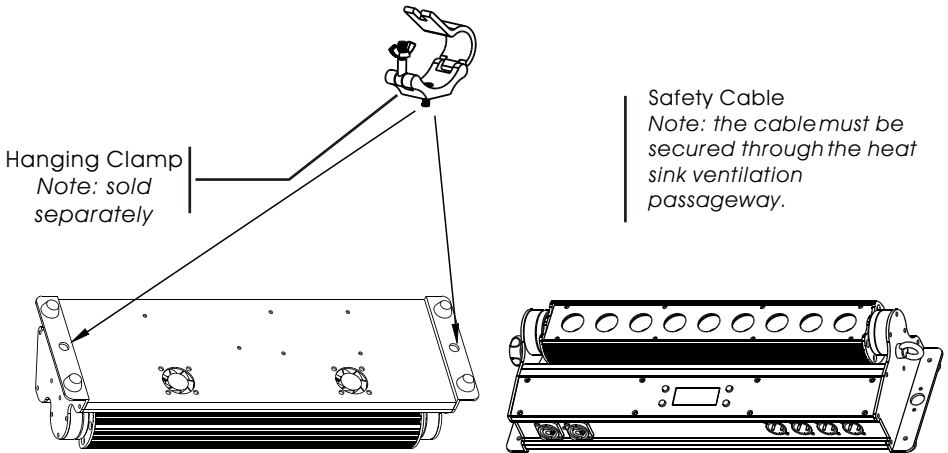
Installation Requirement

This product can be used in a variety of situations, can hang and put on the ground.

If hanging the fixture for over head use, then please follow the below steps. Please choose the suitable location to put or hang the light when installing it. You must use the exclusive clamp hanger and screw when hanging it, and make sure the weight of the light is within limits of the hanger. Please make sure without any flammable objects within 0.5m when installing the light.

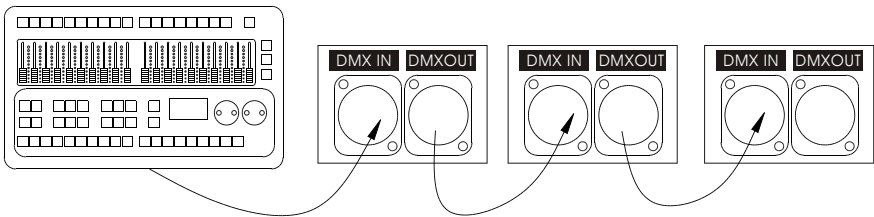
The installation should be operated by professional person; any irregular installation will cause the body injury or equipment damage.

Block access below the work area and use suitable and stable platform when installing or servicing fixture.



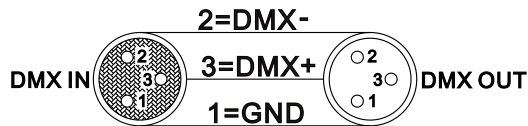
Connection of DMX Signal Wire

- 1 Please use the fixture controller wire specially when use the DMX512 Controller. Connect the (male) 3 pin connector side of the DMX cable to the output (female) 3 pin connector of the first fixture.
- 2 Connect the end of the cable coming from the first fixture which will have a (male) 3 pin connector to the input connector of the next fixture consisting of a (female) 3 pin connector. Then, proceed to connect from the output as stated above to the input of the following fixture and so on.
- 3 This product can be connected numerous lamps in series without the need for the signal amplifier; the signal will not be weakened.



3-PIN TO 5-PIN CONVERSION CHART

Note! If you use a controller with a 5 pin DMX output connector, you will need to use a 5 pin to 3 pin adapter.

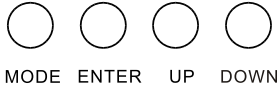


3 PIN TO 5 PIN CONVERSION CHART

Conductor	3 Pin Female(output)	5 Pin Male (Input)
Ground/Shield	Pin 1	Pin 1
Data (-) signal	Pin2	Pin2
Data (+) signal	Pin 3	Pin 3
Do not use		Do not use
Do not use		Do not use

4. OPERATING INSTRUCTIONS

Control Panel Functions



BUTTON	FUNCTION
MODE	Exits from the current menu or function
ENTER	Enables the currently displayed menu or sets the currently selected value in to the selected function
UP	Navigates upwards through the menu list and increases the numeric value when in a function
DOWN	Navigates downwards through the menu list and decreases the numeric value when in a function

Menu Map

MAIN FUNCTION	SUB-FUNCTION	SELECTION	INSTRUCTION	
STAT	W000	000~255	User can combine Cool White, Warm White to generate a custom color	
	C000	000~255		
	5000	00-20	Select strobe frequency	
AUTO	AT00	01~03	3 auto programs available	
DMX		001~512	Set DMX start address	
RUN	DMX		Sets the operating mode for the fixture: to receive signal from a DMX controller (DMX) .receive signal or Download programs from Master fixture. (Slave)	
	SLAVE			
PERS		07CH	7CHS: D+C+W...	
		02CH	2CHS: Dimmer+CCT	
		03CH	3CHS: Dimmer+C+W	
ID	01~66		Assign ID address for fixtures	
SET	IDSW	ON~OFF	Enable or disable ID	
	LOCK	ON~OFF	Enables or Disables password lockout	
	DIM	OFF		"Off" means select linear dimming, or choose dimmer 1-4 to control the dimming speed, dimming 1 of the fastest dimming curves, 4 for the most slowly dimming curve
		DIM1/2/3/4		
	REST	Password	Reset factory defaults	
	VER	V1.31	Version number	
CCT	2800	C000	Preset custom whites Can choose different color temperature	
	3000			
	3200			
	3400			
	4200	W000		
	4900			
	5600			
	5900			

Operating instructions

1 Enable password lock

【SET】 【Lock】 【ON】 / 【OFF】 {ENTER}

【ON】 enable lock, **【OFF】** disable lock

Enable the password lock, control panel in the boot or go into standby automatically take effect, this time to operate lamps need to enter your password. { MODE、 UP、 MODE、 DOWN、 MODE、 UP、 MODE、 DOWN } {ENTER}

2 Factory reset

【SET】 【RESET】 {UP、 UP、 DOWN、 DOWN} {ENTER}

Note: The password is permanently set as {UP、 UP、 DOWN、 DOWN}
Then press ENTER button

DMX512 Controller Mode

1、 DMX operate mode setting

Access control panel function by pressing MODE until **【RUN】** is displayed.
Press ENTER, press UP/DOWN buttons until the **【dMx】** is displayed.
Press ENTER, Press MODE return to MENU

2、 Setting DMX512 Address

【dMx】 【001--512】

Access control panel function by pressing MODE until **【dMx】** is displayed.
Press ENTER, add or reduce channels by pressing UP/DOWN between 001 and 512.
Press MODE to exit.

3、 Setting Channels

【PER5】 【7CH、 2CH、 3CH】

Access control panel function by pressing MODE until **【PER5】** is displayed.
Press ENTER button, select DMX channel by pressing UP/DOWN,
Press MODE to exit.

DMX512 Channel Values

7channels:

Channel	Value	Description
CH1、Dimming	000~255	0-100%
CH2、cool white	000~255	0-100%
Ch3、warm white	000~255	0-100%
Ch4、CCT	000 ~010	No Function
	011 ~040	White 1: 2800K
	041 ~070	White 2: 3000K
	071 ~100	White 3: 3200K
	101 ~130	White 4: 3400K
	131 ~160	White 5: 4200K
	161 ~190	White 6: 4900K
	191 ~220	White 7: 5600K
	221 ~255	White 8: 5900K
5、Strobe	000~001	No Function
	002~255	Strobe(0~20Hz)
6、dimmer speed	002~255	dimmer speed
7、ID	002~255	ID Address Selec

Important Notes

COOL WHITE AND WARM WHITE SELECTION

Channels 2, 3 control the intensity ratio of each of the Cool & Warm White LEDs.
Channels 1&2 &3 can be combined together to create multiple white CT color combinations

WHITE CT MACROS

Channel 4 selects the required White CT Macro.
Channel 4 has priority over Channels 2, through 4.

STROBE

Channel 5 controls the strobe of Channels 2 through 5..
Channel 5 has priority over Channels 2 through 5.
Speed of the strobe is adjustable from 0 to 20 Hz.

DIMMER SPEED

Channel 6 is for selecting the dimmer mode and dimmer speed.

When channel 6 is not activated, then C/W Dimmer are linear.

The dimmer modes 1, 2, 3, and 4 are different speeds of the nonlinear dimming curves

ID ADDRESS SELECTION

Use channel 7 to select ID addressed fixtures.

Each independent DMX address can have up to 66 ID addressed fixtures.

ID address 00 allows control of all fixtures simultaneously.

ID ADDRESS SELECTION

VALUE	FUNCTION	VALUE	FUNCTION	VALUE	FUNCTION
000~009	All Ids	212	ID23	235	ID46
010~019	ID1	213	ID24	236	ID47
020~029	ID2	214	ID25	237	ID48
030~039	ID3	215	ID26	238	ID49
040~049	ID4	216	ID27	239	ID50
050~059	ID5	217	ID28	240	ID51
060~069	ID6	218	ID29	241	ID52
070~079	ID7	219	ID30	242	ID53
080~089	ID8	220	ID31	243	ID54
090~099	ID9	221	ID32	244	ID55
100~109	ID10	222	ID33	245	ID56
110~119	ID11	223	ID34	246	ID57
120~129	ID12	224	ID35	247	ID58
130~139	ID13	225	ID36	248	ID59
140~149	ID14	226	ID37	249	ID60
150~159	ID15	227	ID38	250	ID61
160~169	ID16	228	ID39	251	ID62
170~179	ID17	229	ID40	252	ID63
180~189	ID18	230	ID41	253	ID64
190~199	ID19	231	ID42	254	ID65
200~209	ID20	232	ID43	255	ID66
210	ID21	233	ID44		
211	ID22	234	Id45		

2 channels:

Channel	Value	Description
CH1、Dimming	000~255	0-100%
Ch2、CCT	000 ~010	No Function
	011 ~040	White 1: 2800K
	041 ~070	White 2: 3000K
	071 ~100	White 3: 3200K
	101 ~130	White 4: 3400K
	131 ~160	White 5: 4200K
	161 ~190	White 6: 4900K
	191 ~220	White 7: 5600K
	221 ~255	White 8: 5900K

NOTE: Channel 1 controls the intensity of the currently projected white color, when the slider is at the highest position (255), then the intensity of the output is at the maximum.

3 channels:

Channel	Value	Description
CH1、Dimming	000~255	0-100%
Ch2、cool white	000~255	0-100%
Ch3、warm white	000~255	0-100%

NOTE: Channels 2, 3 control the intensity ratio of each of the Cool & Warm White LEDs. Channels 1&2 &3 can be combined together to create multiple white CT color combinations

ID Address Instructions

1. Setting ID address

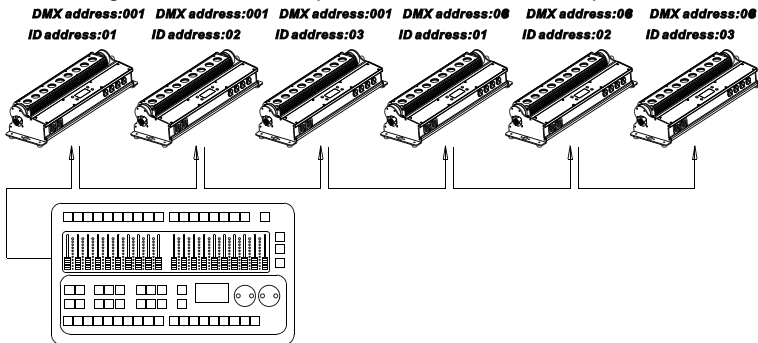
1. Access control panel function by pressing MODE until **【ID】** is displayed.
2. Press ENTER, increase or reduce ID values by pressing UP/DOWN between 01 and 66.
3. Press MODE to exit.

2. Enable or disable ID

【SET】 【IDSW】 【ON-OFF】

1. Access control panel function by pressing MODE until **【SET】** is displayed.
2. Press ENTER, select by pressing UP/DOWN until is **【IDSW】** displayed.
3. Press ENTER, turn on or off ID addressing by pressing UP/DOWN buttons.
4. Press MODE to exit.

For every DMX512 address the user can set 66 separate ID addresses. ID addressing is a secondary function in DMX512 mode. In DMX512 Controller Mode, the user can simultaneously control the individual DMX address of all lights, and can control the lights which have separate ID address in independent DMX512.



Select 07 channel on fixture's control panel (Please refer to DMX512 Channels Selection). The figure above shows a simple DMX layout which has used three units at each DMX address. The three units have different ID addresses. In the DMX address: 001, the user can control the first three lights simultaneously. When using channel 7 select the channel number is 020-029 and ID Address=02, the controller can control the second light individually. When using channel 7 select the channel number is 000-010 and ID Address=00, all the lights are in common use at the same DMX address.

Master/Slave Control Mode

1、 Setting master machine

Access control panel function by pressing MODE until 【 RUN 】 is displayed.
Press ENTER, select 【 AT01 】 / 【 AT02 】 or 【 AT03 】 by pressing UP/DOWN buttons.
Press ENTER, and then press MODE to exit.

2、 Setting slave machine

Access control panel function by pressing MODE until 【 RUN 】 is displayed.
Press ENTER, press UP/DOWN buttons until the 【 SLAVE 】 is displayed.
Press MODE return to MENU

3、 Usage of Master/Slave

When two or more fixtures connected, you can set up the first machine as the Master and the followed fixtures as Slaves. The Master can choose AUTO programs 【 AT01 】 / 【 AT02 】 or 【 AT03 】 , all the slaves will follow the Master's operation synchronously.

5. APPENDIX

Service Maintenance Guide

Symptom(s)	Possible Solution(s)
1 or more LED's are not illuminating	Clean the fixture regularly to avoid any such failure. This fixture is convection cooled, which means that if the surface is kept clean and free of debris, then proper cooling will be allowed to occur
	An LED may have failed, resulting in an open circuit. In this event, all of the red, green, or blue in a single module will no longer illuminate. This does not mean that all of the LEDs have failed, but the circuit is wired in series.
	An LED may have failed, resulting in a short circuit. In this event, only the single LED which has failed will no longer function. This does not mean that all of the LEDs have failed, but the circuit is wired in series.
	-Note: In the event of LED failure, a replacement LED PCB assembly may be purchased directly from Our company

Symptom(s)	Possible Solution(s)
Breaker/Fuse keeps blowing	Check total load placed on the electrical circuit
	Check for a short in the electrical wiring: internal and/or external
Device has no power	Check for power on Mains
	-Note: In the event of auto-switching transformer failure, the unit can be sent in for repair; however, a replacement part can be ordered directly from Our company
Fixture is not responding to DMX	Check Control Panel settings for correct addressing
	Check DMX cables
	Check polarity switch settings on the controller
	Check cable connections
	Call service technician
	-Note: In the event of Display PCB failure, a replacement PCB can be ordered directly from Our company
Loss of signal	Use only DMX cables
	Install terminator
	Note: Keep DMX cables separated from power cables or black lights
COLOR-CON Controller does not function, or does not function properly	Make sure connector is firmly connected to device
	This fixture must be in the correct mode in order to properly respond to the COLOR-CON controller. The correct mode is "DMX" in the onboard Control Panel
Stand alone operation	This fixture has built-in, automatic programs that may be triggered from the onboard Control Board