



# COLOUR PAR 12 V2

## SOLID RGB LED FIXTURE

### EXTRAORDINARY HIGH LIGHT OUTPUT

The CLF Colour PAR 12 is a compact RGB LED fixture with an extraordinary high light output which offers deep saturated, intense colours due to the specially selected LEDs. The powerful LEDs provide extremely high light output and ensure 'flicker-free' operation for all types of TV and film use. The fixture comes with a 25° beam angle and therefore perfect for effect lighting. The solid housing of the fixture makes it suitable for every rental stock and fixed installations.

Besides DMX control, the fixture can also be controlled stand alone or in master / slave mode. The CLF Colour PAR 12 comes with pre-programmed macros. All controls can be found in the menu on the on-board LED display. The fixture has a double bracket so it can be placed on the floor or mounted to truss structures by using the

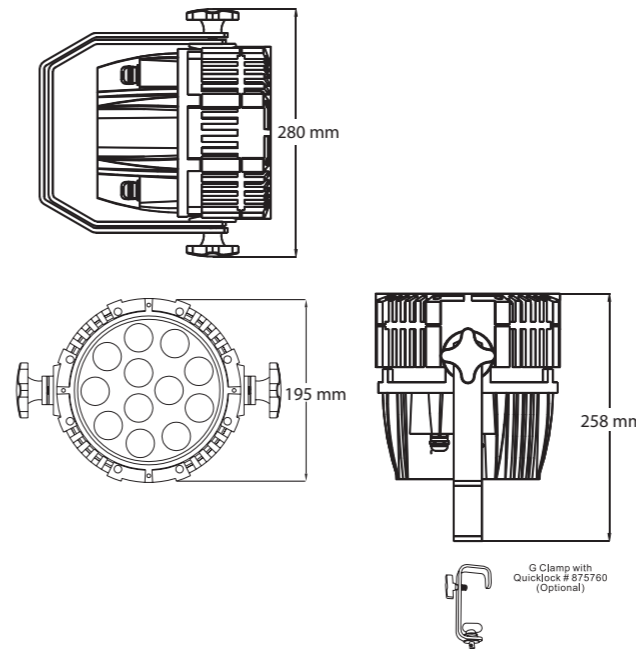
unique CLF quicklock system.

This hanging system is easy to use and time-saving. The Colour PAR 12 is equipped with powerCON in and out and can be connected with three pins XLR.



## CLF COLOUR PAR 12 V2

- » 25° BEAM ANGLE
- » DEEP SATURATED AND INTENSE COLOURS
- » SOLID HOUSING, CONVECTION COOLING
- » 'FLICKER FREE' OPERATION
- » DOUBLE BRACKET FOR FLOOR AND TRUSS MOUNTING
- » POWERCON IN AND OUT



### FACTSHEET

DMX channels	3, 4, 5 or 6 channels
Beam angle	25°
Power supply	100 - 240 VAC
Power consumption	Max. 50 Watt
Cooling	Convection / no fan
DMX connection	3p XLR in & out
Dimensions	258 x 280 x 195 mm (hxxwxd)
Weight	3,5 Kg
Certification mark	CE
Article number	875592
Included items	Power cable
IP rating	IP22