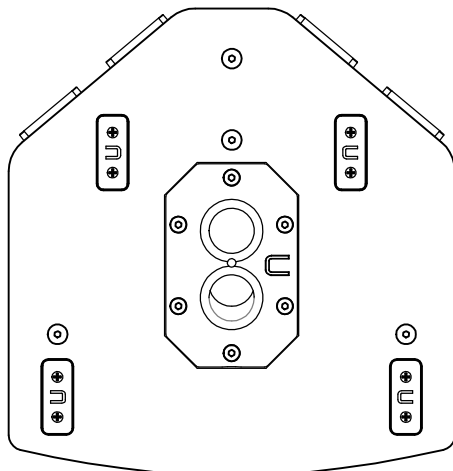
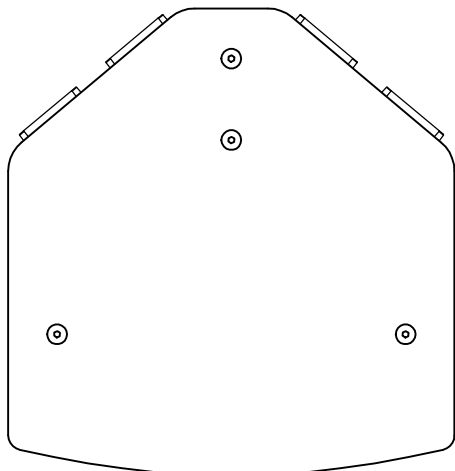
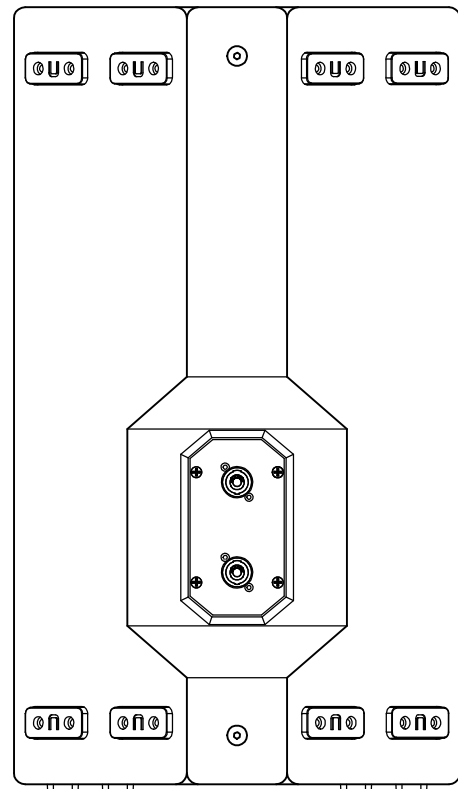
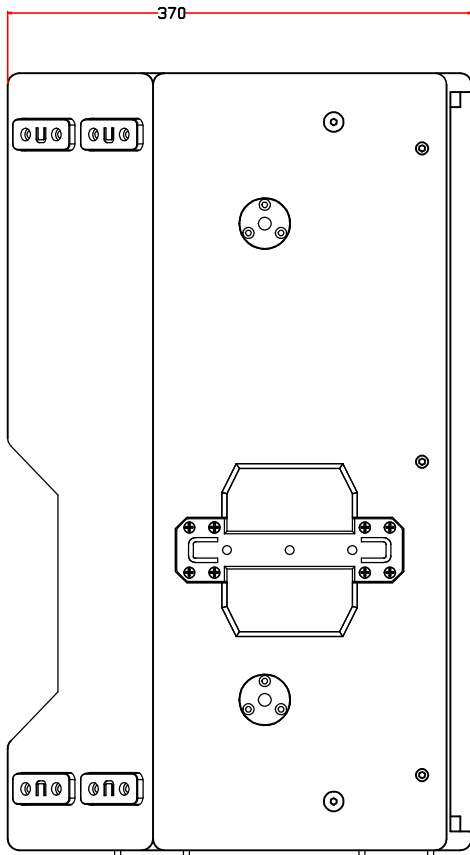
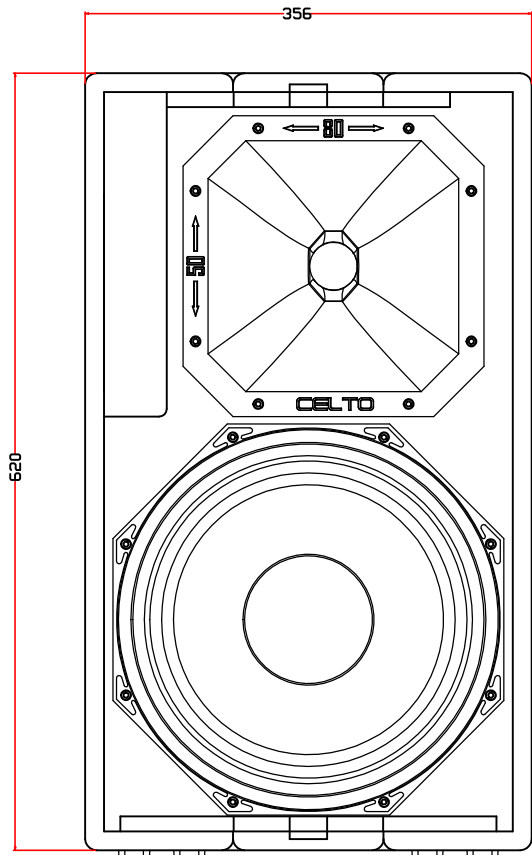


A  
2



MODEL	VT12	PN	101160	UNIT	MM	OF
PART NAME	WOOD CABINET	APPROVED		THIRD ANGLE PROJECTION		1
MATERIAL	BIRCH PLY WOOD	DATE	20160524			PAGE
SCALE	1:1					1
DRAWER	Arthur					