



MMC4011, MMC4011 Cardioid Microphone Capsule

Reference in extreme sound level handling

The MMC4011 capsule is part of the flexible DPA Reference Standard series. The 4011A with the MMP-A preamplifier is the worldwide reference standard for extreme sound level handling, where the 4011C with the MMP-C compact preamplifier is excellent for compact and precise close-miking of the majority of instruments.

The principal appeal of the cardioid MMC4011 capsule is its directional quality and attention to detail: everything sounds like the original. The first-order cardioid pickup pattern provides superb separation between sound sources when used as a spot mic on literally any style of live music, from rock 'n' roll to opera.

For more information please visit:
www.dpamicrophones.com

MMC4011, MMC4011 Cardioid Microphone Capsule

Directional pattern:
Cardioid

Principle of operation:
Pressure gradient

Cartridge type:
Pre-polarized condenser

Frequency range:
20 Hz to 20 kHz

Frequency range, ± 2 dB:
40 Hz to 20 kHz

Sensitivity, nominal, ± 2 dB at 1 kHz:
10 mV/Pa; -40 dB re. 1 V/Pa

Equivalent noise level, A-weighted:
Typ. 18 dB(A) re. 20 μ Pa (max. 20 dB)

Equivalent noise level, ITU-R BS.468-4:
Typ. 25 dB

S/N ratio (A-weighted), re. 1 kHz at 1 Pa (94 dB SPL):
Typ. 76 dB(A)

Color:
Matte black

Weight:
18 g (0.6 oz)

Diameter:
19 mm (0.75 in)

Capsule diameter:
19 mm (0.75 in)

Length:
23 mm (0.9 in)

Temperature range:
-40 °C to 45 °C (-40 °F to 113 °F)

Relative Humidity (RH):
Up to 90 %

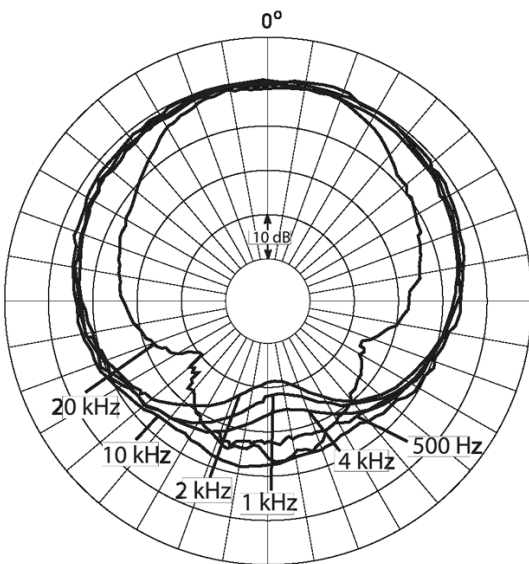
Matching tolerance:
 ± 1 dB

Phase deviation for kit:
< 10°

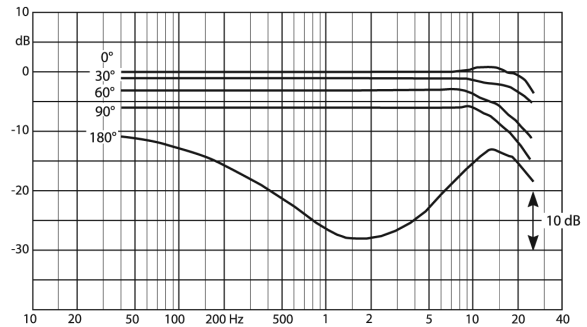
Diagrams

MMC4011, MMC4011 Cardioid Microphone Capsule

Directional characteristics of DPA MMC4011 (normalized)



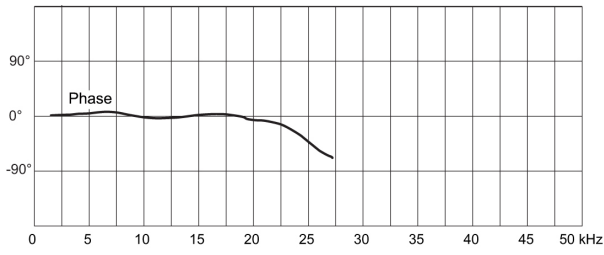
On-and off-axis responses of DPA MMC4011 measured at 30 cm



On-and off-axis responses of DPA MMC4011 measured at 30 cm

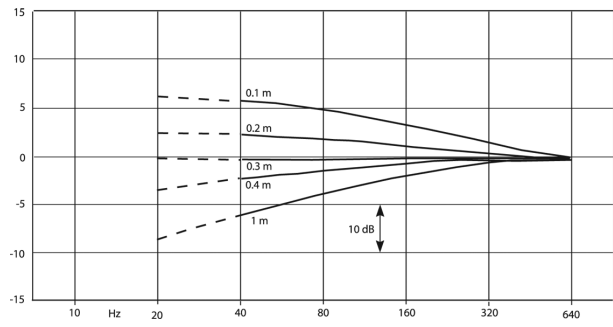
Directional characteristics of DPA MMC4011 (normalized)

Phase response of DPA MMC4011



Phase response of DPA MMC4011

The proximity effect exhibited by DPA MMC4011



The proximity effect exhibited by DPA MMC4011



Headquarters:
 DPA Microphones A/S
 Gydevang 42- 44
 DK-3450 Allerød, Denmark
 Tel: +45 4814 2828
 Fax: +45 4814 2700
 info@dpamicrophones.com
 www.dpamicrophones.com

United States:
 DPA Microphones, Inc.
 2432 N. Main St., Suite 200
 Longmont, CO 80501, USA
 Tel: +1 303- 485-1025
 Fax: +1 303- 485-6470
 info-usa@dpamicrophones.com
 www.dpamicrophones.com