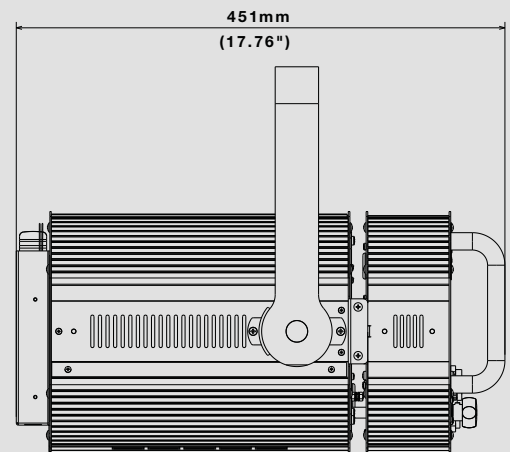
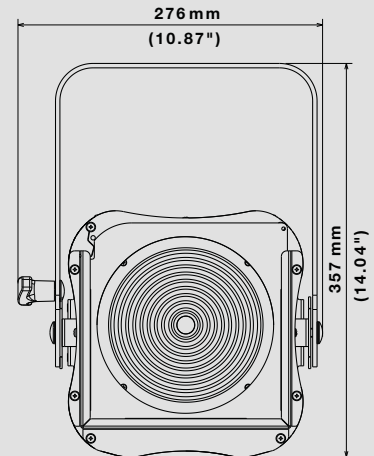


SCENA LED 200 FC



THE THEATRE LED PROJECTOR
WITH FRESNEL LENS AND COLOR
MIXING



FEATURES



OPTIONALS

CERTIFICATIONS



CODES

LINEAR ZOOM - 03.TS054.46.F

MOTORIZED ZOOM - 03.TS054.46.F



TECHNICAL DATA

OUTPUT

- Single high-power 4-colors LED
- Lumen output (RGBW): up to 4,975
- Cold White CRI up to 90
- LED lifespan: 50,000 hours (70% lumen output)

OPTICAL GROUP

- Ø 150 mm Fresnel lens
- Zoom
- 14° - 60° manual linear zoom version
- 14° - 60° motorized linear zoom version

COLOR GENERATION

- 28 gel filters macros
- Wide palette of pure uniform whites
- Variable linear color temperature (2700 K – 8000 K)

CONTROL

- DMX 512 / RDM or Manual control
- Multi-function 4-digit 7-segment LED display + 4 soft keys
- Firmware updatable via DTS firmware uploader dongle

DMX

- 10 DMX channels (default)
- 4 DMX channels
- 6 DMX channels
- "Fine" mode

POWER SUPPLY

- Electronic Wide-range 100-240Vac 50-60 Hz;
- Power consumption: 200 W max
- Power Factor: PF >0.94

CONNECTIONS

- Power supply: PowerCON TRUE1 In/Out panel connectors
- DMX: XLR 5-pole In/Out panel connectors

CIRCUITS PROTECTIONS

- Overvoltage and overtemperature circuits protection

OPERATING TEMPERATURE

-10° / 40° C

PHYSICAL

- IP20
- Weight: 9.4 Kg (20.7 lbs)
- Finishing: Black

ACCESSORIES INCLUDED

- 1 x PowerCON TRUE1 female cable connector (code 0520P066)
- 1 x XLR 5 pins female cable connector (code 0508B147)
- 1 x XLR 5 pins male cable connector (code 0508B148)
- 1 x Filterframe Black finishing - already installed on the projector (code 02M093278.49)

ACCESSORIES ON REQUEST

- Barndoor Black finishing (code 03.TBD04)
- Universal Hook Clamp - Max load 40 Kg - 88 lbs (code 0521A047)
- Outdoor DMX cable 2 x 0,25 mm² - Flame retardant (code 0509C158)
- Flightcase for 6 units (code 0521C075)
- Safety cable - 3 x 600 mm - max. capacity load 30 Kg (code 0521A010)
- DTS firmware uploader dongle (code 03.LA.206)

PHOTOMETRIC DATA

	mt 2 ft 6.56	mt 4 ft 13.12	mt 6 ft 19.68	mt 8 ft 26.25	mt 10 ft 32.81	
BEAM ANGLE 14° @ 50%	lux center (lx)	15744	3936	1749	984	630
	foot candles (fc)	1463	366	163	91	59
	diameter (cm)	49	98	147	196	246
	diameter (ft)	1.61	3.22	4.83	6.45	8.06
BEAM ANGLE 60° @ 10%	lux center (lx)	4081	1020	453	255	163
	foot candles (fc)	379	95	42	24	15
	diameter (cm)	231	462	693	924	1155
	diameter (ft)	7.58	15.15	22.73	30.31	37.88