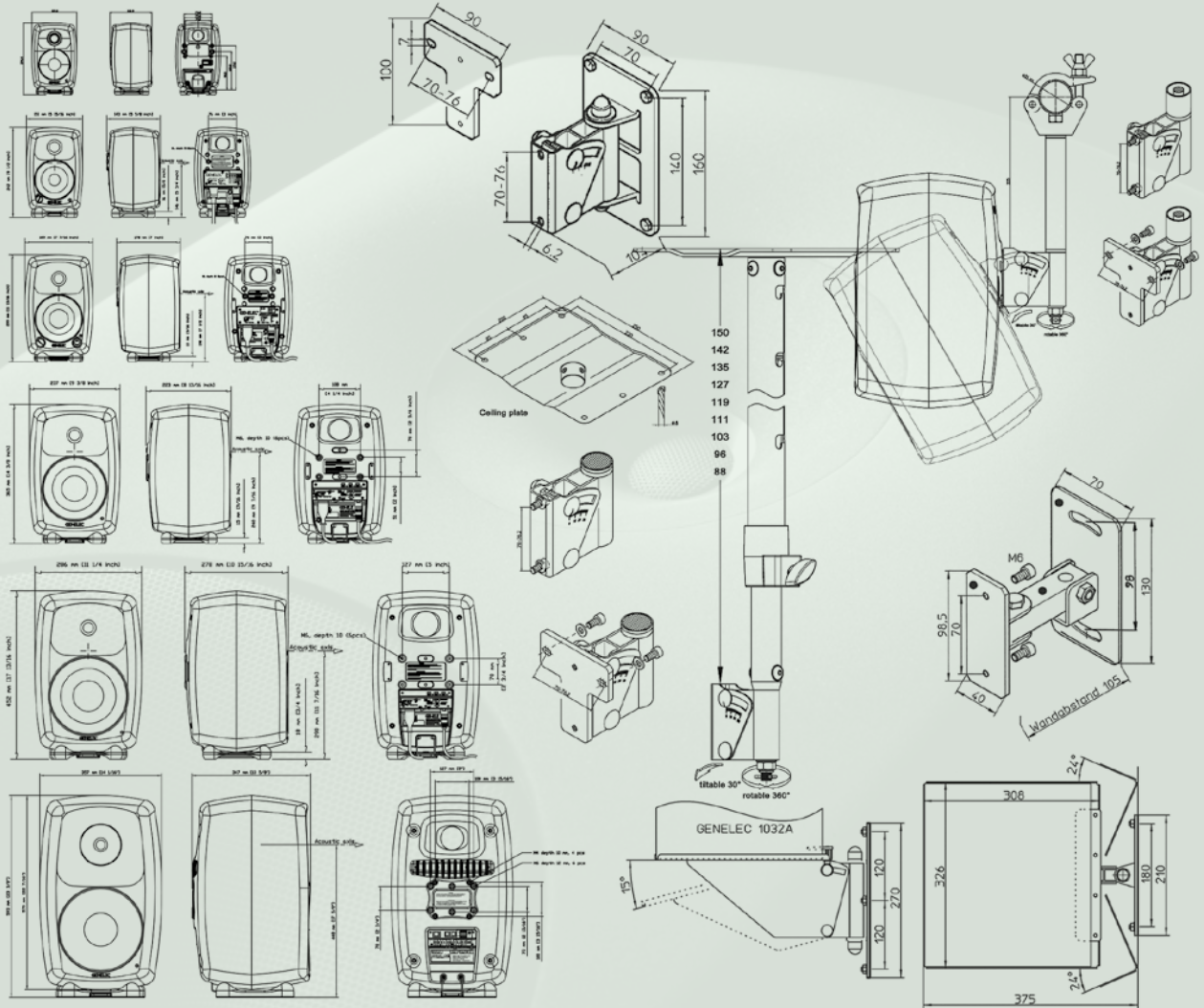


GENELEC®

ACCESSORIES



FOR GENELEC LOUDSPEAKERS

1038CF/1238CF



1039



1038



1038BC



1035



1034



1036



1034BC



7050



7060 / 7260
SE7261



7070 / 7270



7071 / 7271



6010



8020



8030 / 8130



8040 / 8240



8050 / 8250



8260



1032



1037



GENELEC

CONTENTS

- Table stands 4-5
- Floor stands 6-7
- Stand plates 8
- Ceiling mounts 9
- Wall mounts 8000-series. 10
- Wall mounts 11-12
- VESA-adapter 12
- Flush mount kits 13
- Other. 14
- Cable 15
- Carrying accessories 15
- Slotwall mounts 16
- Accessories table 17
- Italian Special Accessories. 18
- Monitor line drawings 19

TABLE STANDS

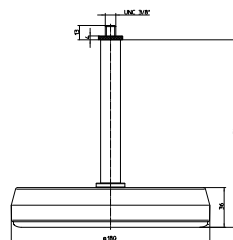
Short table stand

Short table stand providing a raised position for near-field monitors. Suitable for 8020, 8030 and 8040. Heavy black cast iron base with anti-vibration rubber ring, diameter 17 mm. Mounting 3/8" thread on the tube top. Preferably used together with stand plates for better positioning. The 8020 and 8030 models have an integrated 3/8" thread for possible direct fixing without stand plate. The 8040 model must be installed with a stand plate.

8000-406 Table stand (K&M 23310-370-55)



8000-406



8000-406 with stand plate.

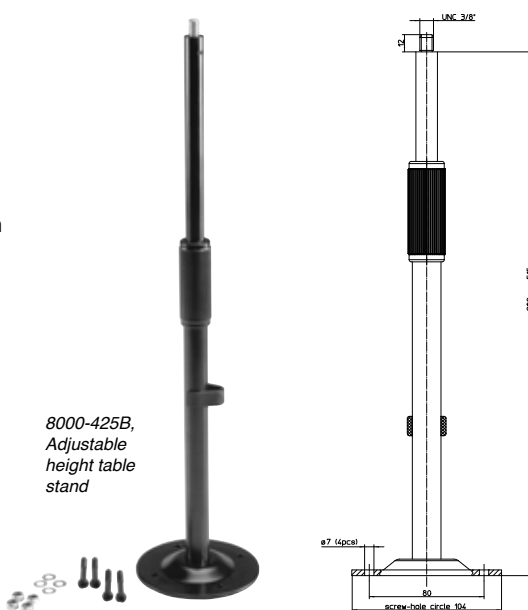
Adjustable height table stand



Adjustable height table stand for 8020 and 8030 with a base plate that can be attached to a table or flat surface. Preferably used with stand plate and IsoPod for better monitor orientation (see picture below). The telescopic tube length (301 to 527 mm) is designed for optimum monitor positioning

behind or above computer screens. Screws and fixing nuts for a 40 mm thick table are included.

8000-425B Fixed table stand (K&M 23360-300-55)



8000-425B, Adjustable height table stand



Speaker fitted on 8000-425B with stand plate.

Associated products



8040-408

8030-408

8020-408

8010-408

Table stand Glass base for 6010

Achieving better performance of the 6010 by lifting up the loud-speaker from the table surface, but also featuring an elegant outlook, this new Glass Stand has a white stand plate and a glass chassis.

8010-205 Table stand with glass base (K&M 23280-300-00)

8010-408W Stand plate, white for 6010 Iso-Pod (K&M 19621-329-57)



Table stand with white stand plate.



Table stand and 6010.

Table stand L-shape for 6010

This stand lifts up the speaker from the table, providing less reflections from the nearby surface and eliminating the comb filtering effect. Also this accessory makes it easier to get the loudspeaker's acoustical focus towards the listening position and keep the cables in place.

8010-320B Table stand L-shape for 6010, black (K&M 23270-300-55)

8010-320W Table stand L-shape for 6010, white (K&M 23270-300-57)



L-shape stand and 6010 (5040 in the background).

Table stand L-shape for 8020

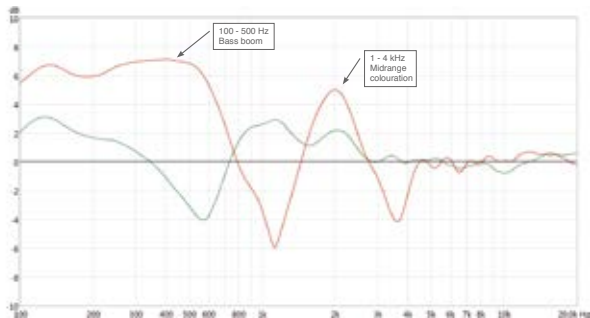
Similar to the 6010 stand. It lifts up the speaker from the table, providing less reflections from the nearby surface and eliminating the comb filtering effect. Also this accessory makes it easier to get the loudspeaker's acoustical focus towards the listening position and keep the cables in place.

8020-320B Table stand L-shape for 8020, black (K&M 23274-000-55)

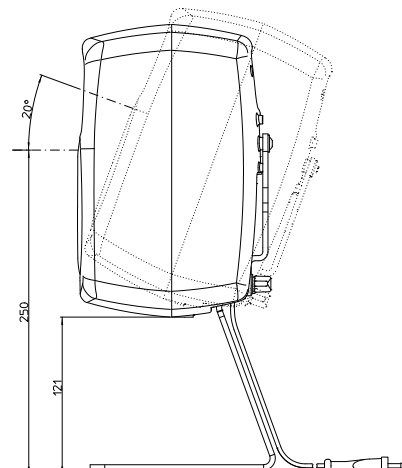
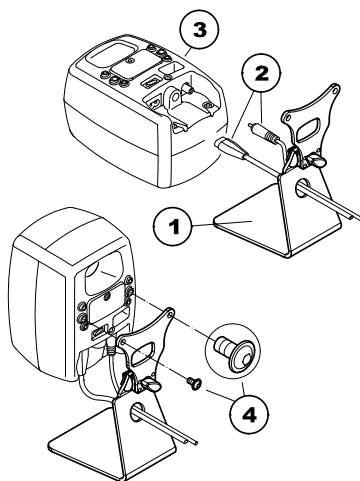
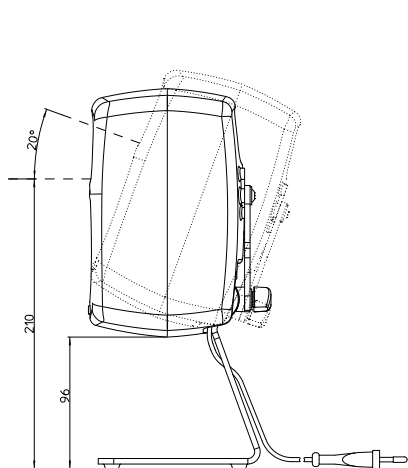
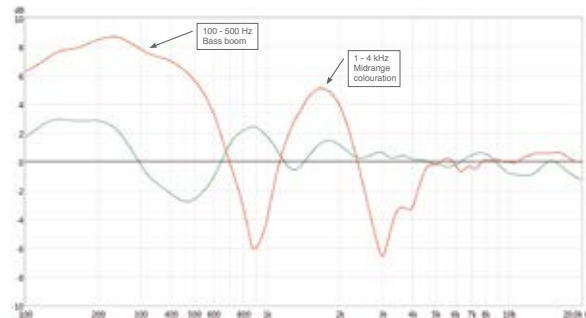
8020-320W Table stand L-shape for 8020, white (K&M 23274-000-57)



6010A – L-shaped table stand measurements



8020B – L-shaped table stand measurements



FLOOR STANDS

Design floor stand

After a long development journey together with K&M, we can finally offer the “Genelec designed floor stand” for the 8000 Series loudspeakers. Harri Koskinen, industrial designer and partner in the design of the 8000 Series loudspeaker made the first drawings several years ago.

This very stable and elegant steel stand has a 420 x 420 mm cast base with an oversized rod combination. Gradual height adjustment is made by a superior positioning and clamping knob. Quick, uncomplicated mounting of the monitor is accomplished using the suspension device. This floor stand is mainly designed for the 8040/8240 and 8050/8250 products. Weight: 13.4 kg, Height: variable between 1100/1700 mm.

8000-400 Floor stand “Genelec design” (K&M 26785-000-56)



Floor stand

Stable steel stand with a broad round cast iron base. Base diameter is 450 mm. Adjustable in height using clamping screw and safety pin. Mounting 3/8" thread for any Genelec stand plates, from 8020 to 8050 model.

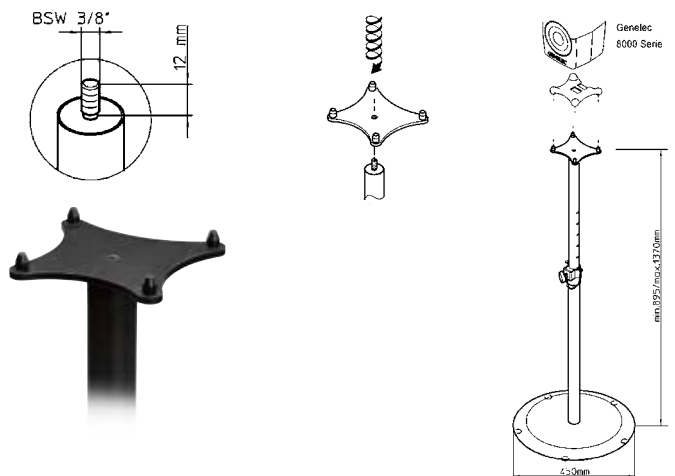
Load capacity: 35 kg. Weight: 10.6 kg. Height: 950 to 1430 mm. Packing: double cardboard packing; iron base in one and stand in the second. Suitable for; 8020, 8030, 8130, 8040, 8240, 8050 and 8250.

8000-409B Floor stand (K&M 26741-029-55)

Floor stand

Floor stand for 8020 and 8030, preferably used together with stand plates. Cast iron base with anti-vibration rubber ring. Weight: 5.4 kg. Height: 870 to 1565 mm. Base diameter: 250 mm. Packing: single cardboard box. Suitable for; 8020, 8030 and 8130.

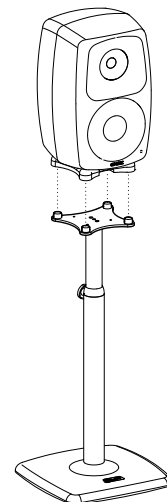
8000-403 Floor stand (K&M 26000-300-55)



Design floor stand for 8260

Genelec designed floor stand with variable height between 800/1350 mm, suitable for 8260. The existing floor stand 8000-409B with this top-adapter can be used to support 1038CF/1238CF monitors in lowered position. It's not recommended to raise the stand in a higher position. Weight 19 kg.

8260-415B Floor stand "Genelec design" for 8260 (K&M 26795-000-56)



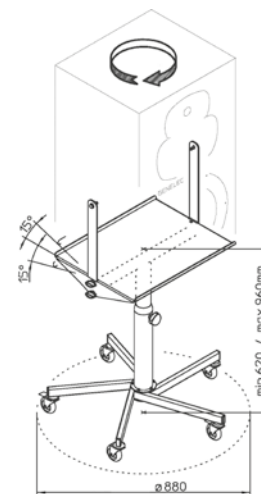
Associated product



Floor stand for 1037 monitor

Adjustable in height (35 cm) and can be tilted +/- 15°. The speaker is fixed on the stand without damage to the enclosure. Two side-bars lock the speaker to the stand with M10 screws into threads on the sides of the enclosure. The stand base has five wheels and two of them can be locked to hold the stand still. Height (to plate): 615-950 mm. Weight: 17 kg.

1037-415B Floor stand for 1037 (K&M 45100-000-55)



Floor stand for 1038 monitor

Adjustable in height (35 cm) and can be tilted +/- 15°. The speaker is fixed on the stand without damage to the enclosure. Two side-bars lock the speaker to the stand with M10 screws into threads on the sides of the enclosure. The stand base has five wheels and two of them can be locked to hold the stand still. Height (to plate): 620-960 mm. Weight: 17.3 kg.

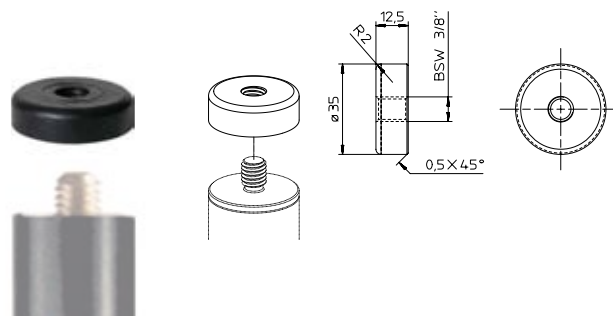
1038-415B Floor stand for 1038 (K&M 45110-000-55)



Top adapter

The existing floor stand 8000-409B together with this top-adapter can be used to support 1038CF/1238CF monitors in lowered position. It's not recommended to raise the stand in a higher position. 3/8" adapter for floor stand 8000-409B (to fit 1038CF&1238CF)

1038-605 Top adapter 3/8" (K&M 26739-329-00)

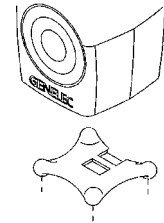


STAND PLATES

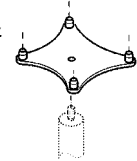
Stand plates 8000 series

Genelec stand plates are designed for use together with the IsoPod that comes with all 8000 series monitors. The IsoPod allows you to tilt the monitor for optimal alignment. Simply mount the stand plate onto the 3/8" thread on the tube and ensure tight screw connection. Place the IsoPod over the four pins of the stand plate.

- 8010-408** for 6010 Iso-Pod (K&M 19621-329-55)
- 8010-408W** for 6010 Iso-Pod, white (K&M 19621-329-57)
- 8020-408** for 8020 Iso-Pod (K&M 19622-329-55)
- 8030-408** for 8030 Iso-Pod (K&M 19623-329-55)
- 8040-408** for 8040 Iso-Pod (K&M 19624-329-55)
- 8050-408** for 8050 Iso-Pod (K&M 19625-329-55)
- 8260-450B** for 8260 Iso-Pod (K&M 19628-300-56)



Stand plate and IsoPod assembly.



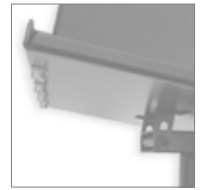
Stand plate for 1032

Stand plate for 1032 and S30D monitors. To be mounted on a stable floor stand, example 8000-409B (K&M 26741-029-55). The stand plate has a 3/8" thread insert in its centre for further stand assembly. The plate is tiltable 15° and a rear press fit bar keeps the enclosure securely fixed onto the plate.

- 1032-450B** Stand plate for 1032 (K&M 24455-000-55)

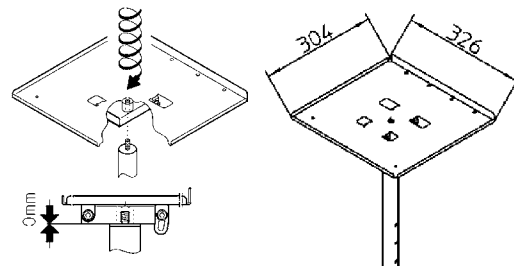


1032-450B.
1032 stand plate mounted on floor stand.



Associated product

8000-409B



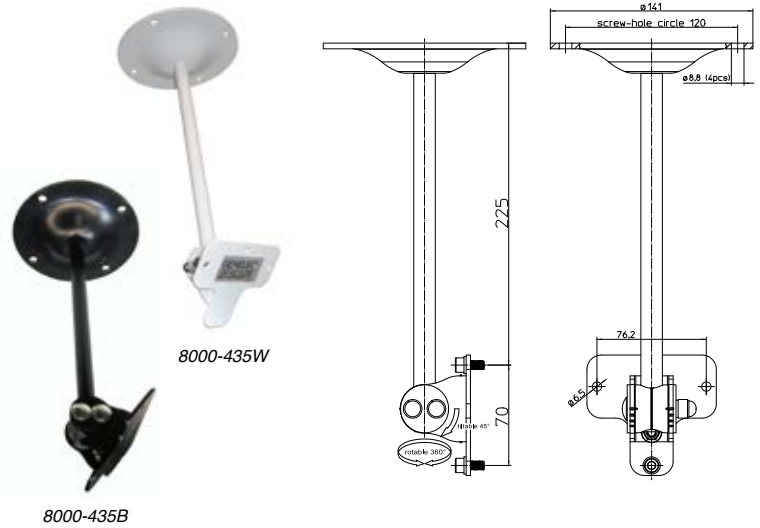
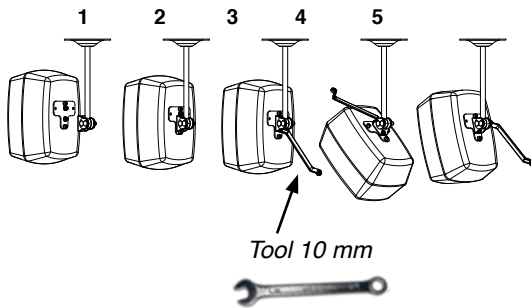
CEILING MOUNTS

Short ceiling mount

For all 8000 series models. Available in black or white.

8000-435B Black (K&M 24485-000-55)

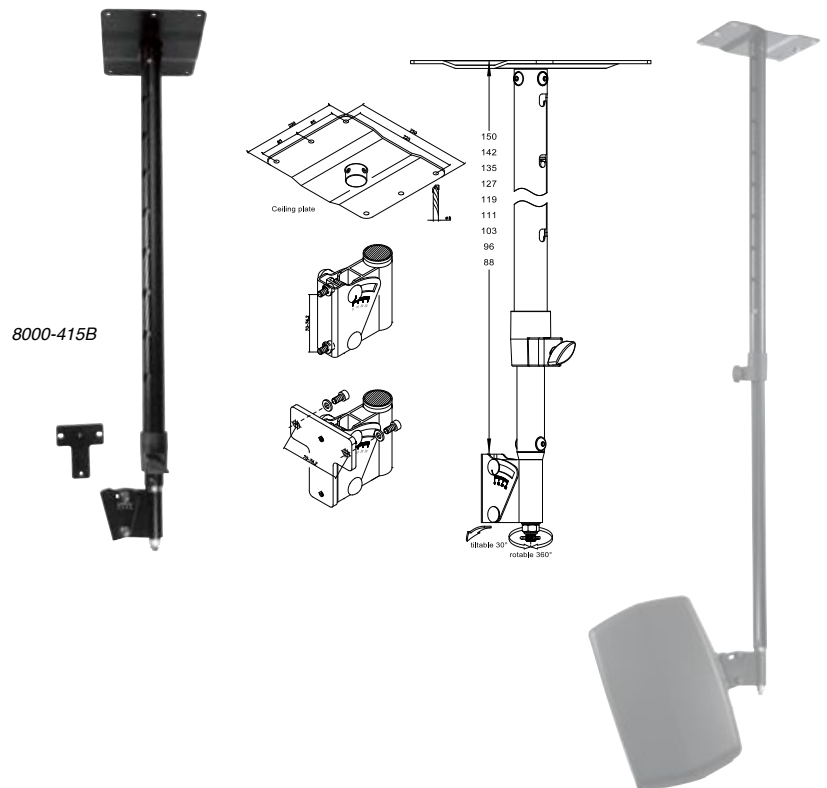
8000-435W White (K&M 24485-000-57)



Adjustable height ceiling mount

For all 8000 series models. Adjustable length from 905 to 1505 mm. T-adapter included for 8020 and 8030 models.

8000-415B (K&M 24490-000-55)



WALL MOUNTS 8000 SERIES

Fixed wall mount

Wall mount bracket for 6010. Tilttable 30°. Available in black and white. Included with each 6010.

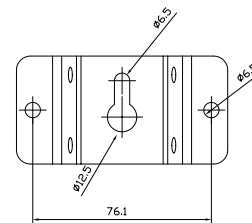
- 6010-410B Black
- 6010-410W White



Fixed wall mount

Wall mount for 8020 and 8030/8130. Available in black and white. Included with each 8020.

- 8000-410B Black
- 8000-410W White



Wall & ceiling mount

Combined wall and ceiling mount for 6010. Available in black, silver and white. Packed in pairs.

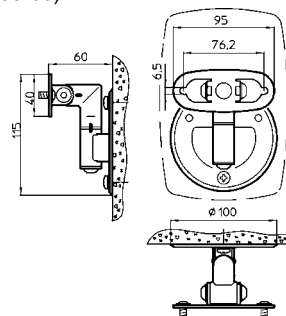
- 8010-202B Black (Sanus WMS3B)
- 8010-202S Silver (Sanus WMS3S)
- 8010-202W White (Sanus WMS3W)



Adjustable wall mount with T-plate

Wall mount bracket for 6010, 8020 and 8030. Available in black and white.

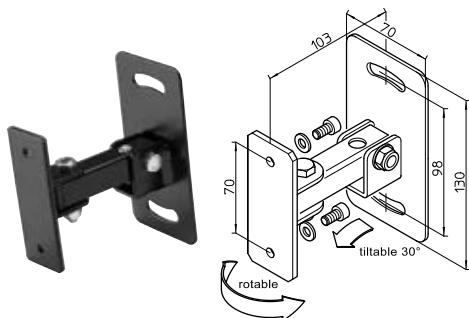
- 8000-422B Black (K&M 24160-000-56)
- 8000-422W White (K&M 24160-000-66)



Adjustable wall mount

Wall mounting bracket for 8040/8240. Available in black.

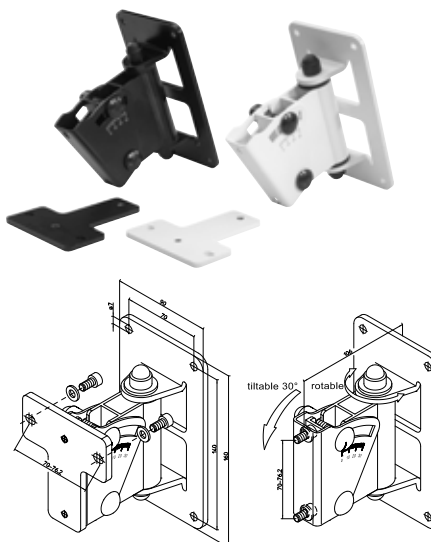
- 8000-401B Black (K&M 24180-000-55)



Adjustable wall mount

Wall mounting bracket for 8000 series. Available in black and white. Security wire available, see "Other".

- 8000-402B Black (K&M 24475-000-55)
- 8000-402W White (K&M 24475-000-57)

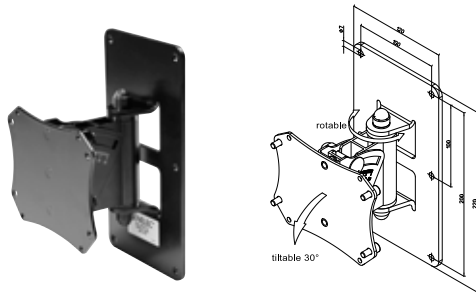


WALL MOUNTS

Wall mount 8260

Wall mount for 8260, including holes for VESA 100.

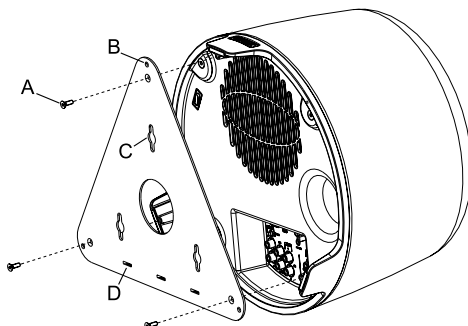
8260-414B Black (K&M 24478-000-55)



Adapter plate for 5040 Subwoofer

Large cable bundle laying on the floor are common in most installations. Considering that a fully connected 5040 features 13 different cables, we felt these cables do not necessarily need to lie on the floor. Why not placing the 5040 subwoofer ON the wall, UNDER a table or even UNDER the ceiling... This can now be achieved using the 5040 adapter plate. As a basic physical fact, the mounting surface needs to be as solid and flat as possible. You can download mounting descriptions from our web page www.genelec.com

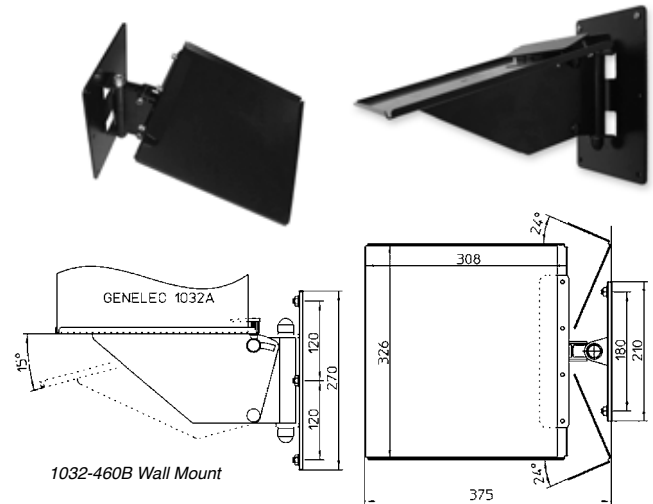
5040-410B Black
5040-410S Silver
5040-410W White



Wall mount 1032

Wall mount for 1032 (also S30D). Tilttable 15° and adjustable for correct monitor positioning. Holds the enclosure securely with a rear press fit bar.

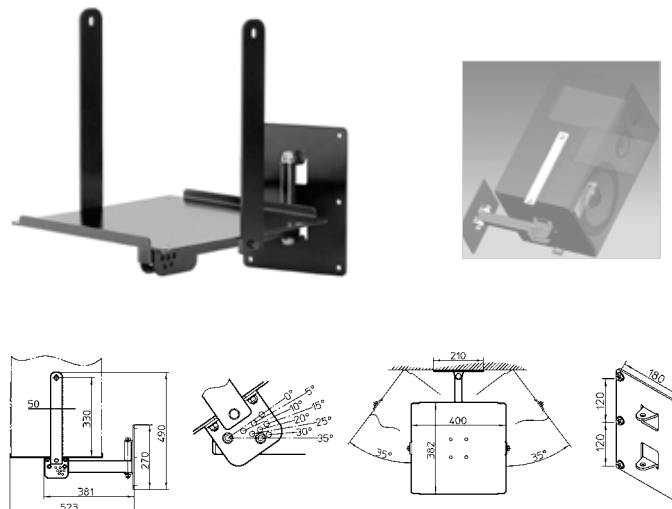
1032-460B Black (K&M 24453-000-55)



Wall mount for 1037 monitor

Can be horizontally turned +/- 35° and tilted 0-35° in fixed 5° steps. The speaker is fixed on the wall mount without damages to the enclosure. Two sidebars lock the speaker to the stand with M10 screws into threads on the sides of the enclosure. Weight: 11.4 kg.

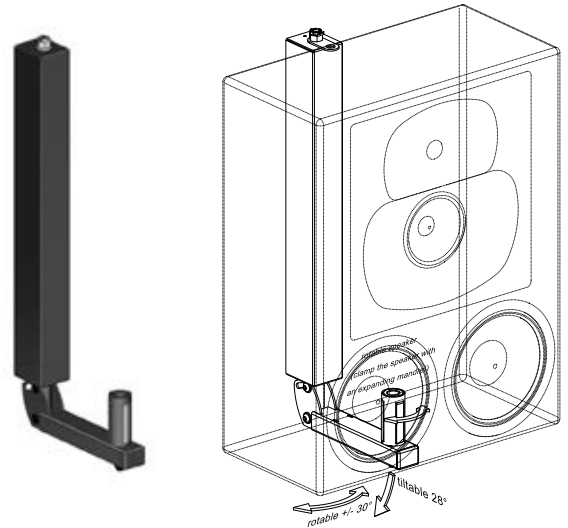
1037-414B Black (K&M 24457-000-55)



Wall mount 1038CF / 1238CF

Wall mount for 1038CF / 1238CF only.

1038-437B Black (K&M 24477-000-55)



VESA-ADAPTER

VESA-adapter for 8000-series

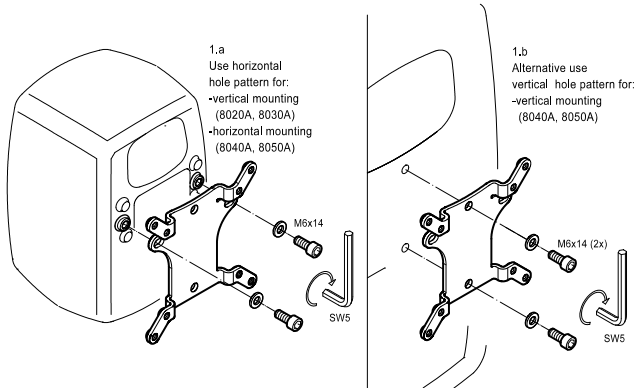
Today many broadcast environments and post-production studios have changed the way of installing video monitors. Instead of using 19" rack systems such LCD / Plasma screens are now placed in so-called flat "media walls". All of them feature the international mechanical mounting system called VESA standard.

We all know pictures need to be completed with sound, and therefore we have made a simple adapter fitting all Genelec 8000-speakers. With this small adapter one can mount any 8000 series monitors into any kind of VESA 75/100 based accessories.

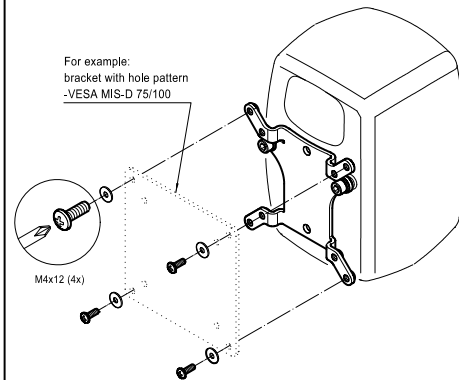
8000-437B VESA adapter 75/100 mm



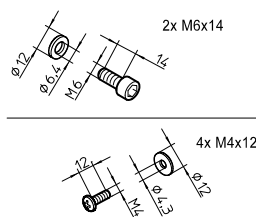
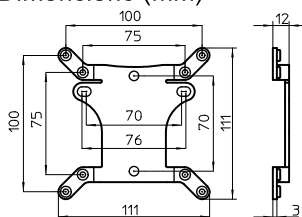
1. Fix adaptor plate onto GENELEC monitor by tightening two allen screws M6x14 and washers



2. Fix adaptor plate on a qualified wall/ceiling/stand-bracket by tightening four recessed head screws M4x12 and washers



Dimensions (mm)



Safety Instructions

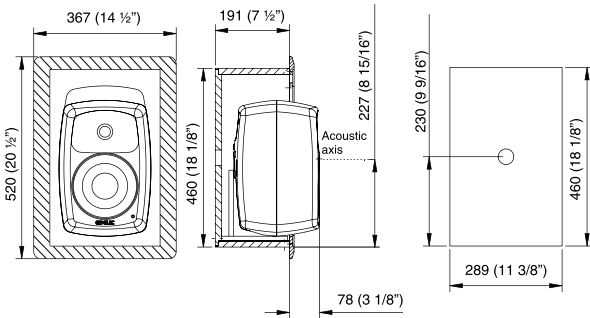
- Max.load capacity: 15 kg.
 - Use four screws for fixing on a bracket.
 - Do NOT use Vesa-Adaptor for direct wall fastening;
- ONLY in combination with a qualified wall/ceiling/stand-bracket.
- Inspect bolted assemblies periodically
 - For indoor use only

FLUSH MOUNT KITS

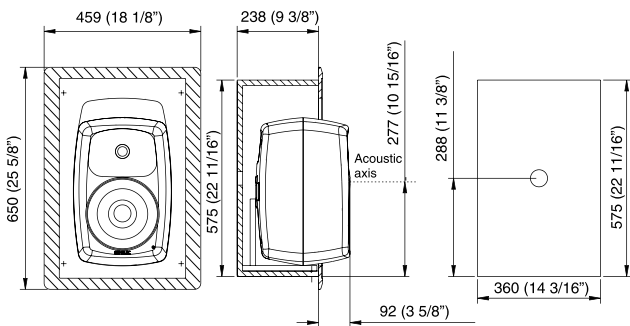
Flush mount kit for one 8040/8240 or 8050/8250

Genelec Flush mount kits are designed for mounting Genelec 8040/8240 or 8050/8250 monitors into a sturdy wall structure. They may not be used for any other purpose.

- 8040-450B** Flush Mount Kit for 8040 and 8240
- 8050-450B** Flush Mount Kit for 8050 and 8250



8040 Flush Mount Kit dimensions

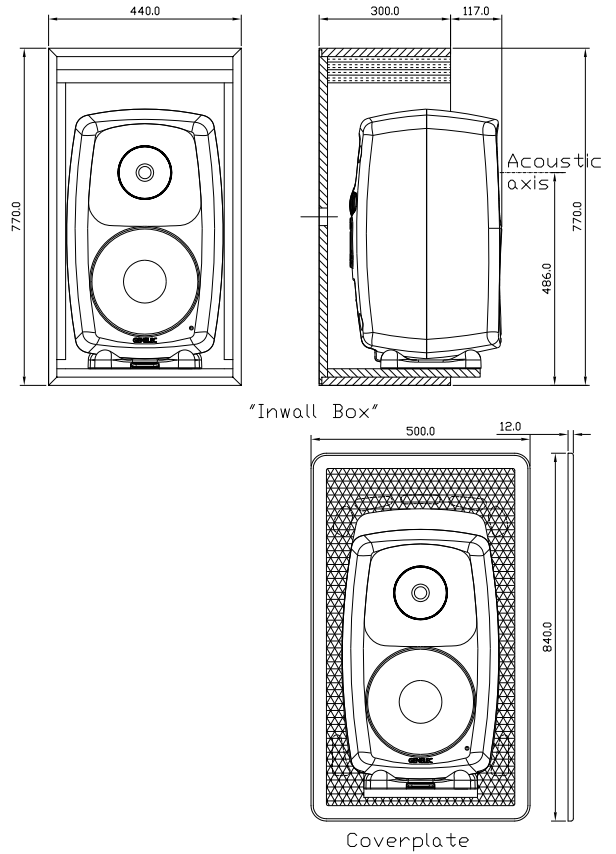


8050 Flush Mount Kit dimensions

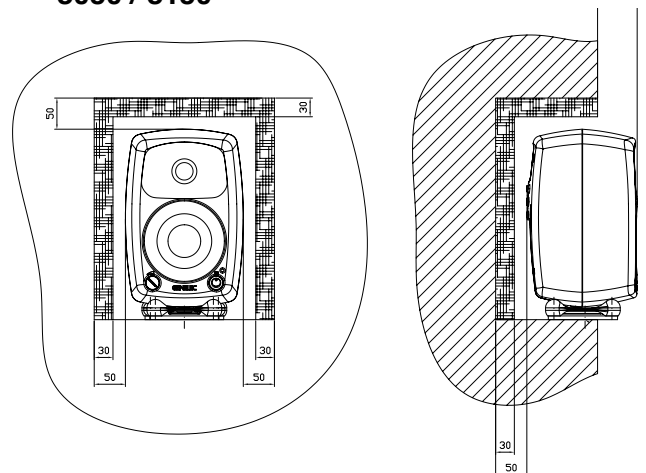
Flush mount kit for one 8260

Complete flush mount kit for 1 pce 8260.

- 8260-470B** Flush Mount kit, complete



Drawing for flush mounting of 8030 / 8130

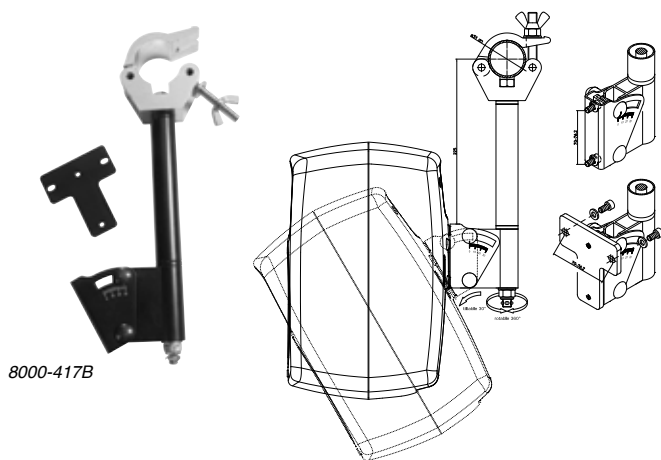


OTHER

Truss mount kit

Truss mount with clamp for Ø 50 mm tube.
Adaptable up to 8050 models.

8000-417B Truss mount kit (K&M 24495-000-55)



8000-417B



Security wire

Security wire with hook for secure truss mounting. Length 820 mm, 3.2 mm wire.

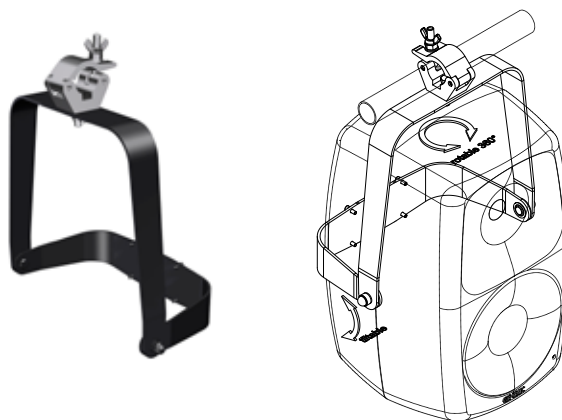
8000-432 Security wire SW-02



Truss Mount kit for 8260

Truss mount kit with clamp for Ø 50 mm tube for 8260.

8260-465B Black (K&M 24492-000-55)



Adapter for 36 mm tubes

Adapter kit for mounting 8000 series monitors on 36 mm tubes.
Including security wire.

8000-419B (K&M 24521-900-55)

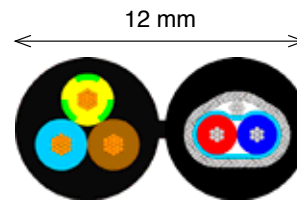
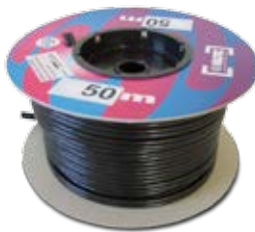
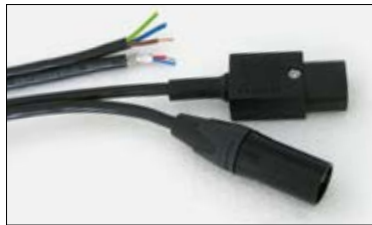


CABLE

Active monitor hybrid cable

For several years the market has been requesting an easy-to-install cable for active monitors. Genelec, in cooperation with Klotz GmbH, has developed a small and installation-friendly hybrid cable that features power and signal in two isolated shield packed in the hybrid cable. Power is 3 x 0,85 mm² and signal is double shielded 110 Ohm AES/EBU cable which can also handle analogue signal.

1510-302B Hybrid cable black on 50 m reels only.



Composite

Order No.	HD01P08Z
Construction	1 x Audio + 1 x Power, parallel, splittable
Jacket	PVC, black
Dimensions	12.0 mm x 5.9 mm
Weight	97g/m
Working Temperature	-25 °C / +70 °C

Signal Cable

Conductor	7 x 0.20 mm (AWG24) tinned copper
Conductor Area	0.22 mm ²
Insulation	Foam-Skin-PE
Shielding	AL/PETP foil + tinned stranded drain wire + tinned copper braid, coverage 85%
Jacket	PVC, black, Ø 5.9 mm

Power Cable 3x0.85 mm²

Conductor	bare copper, 19 x 0.24mm
Conductor Cross Section	0.86 mm ² (AWG 18)
Insulation	PVC
Number of Cores	3
Jacket	PVC, black, Ø 5.9 mm

CARRYING ACCESSORIES

Bags for Genelec Loudspeakers

Soft transportation bags for Genelec loudspeakers.

- 5040-421** Bag for one 5040
- 6010-421** Bag for 2 pcs 6010
- 8020-422** Bag for 2 pcs 8020
- 8030-422** Bag for 2 pcs 8030 or 8130
- 8040-422** Bag for 2 pcs 8040 or 8240
- 8050-422** Bag for one 8050 or 8250



Bag for one 5040.



Bag for two 6010.



New bag design for 8020, 8030/8130, 8040/8240 and 8050/8250.



SLOTWALL MOUNTS

Slotwall brackets

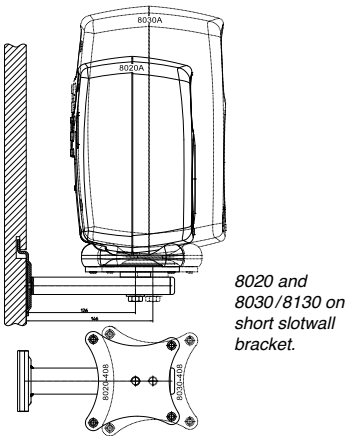
Slotwall brackets for 8000 series monitors. Each bracket can support one stand plate to allow easy positioning and angling of the monitors.



Short slotwall bracket

Slotwall bracket for 8020 and 8030/8130.

8000-902B (K&M 44102-029-55)



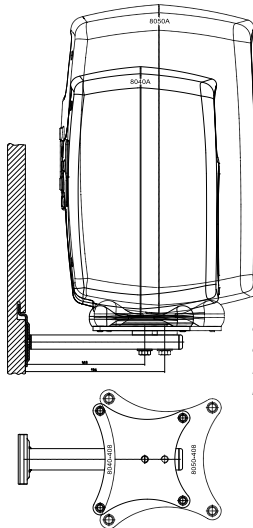
8020 and 8030/8130 on short slotwall bracket.



Long slotwall bracket

Slotwall bracket for 8040/8240 and 8050/8250.

8000-904B (K&M 44104-029-55)



8040/8240 and 8050/8250 on long slotwall bracket.



Associated products

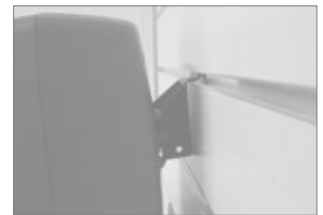
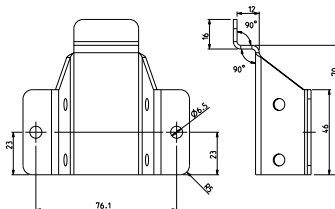


8050-408 8040-408 8030-408 8020-408 8010-408

Simple slotwall bracket

Slotwall bracket for 6010, 8020 and 8030/8130.

MAI-0076 Bracket for 6010, 8020 and 8030/8130.

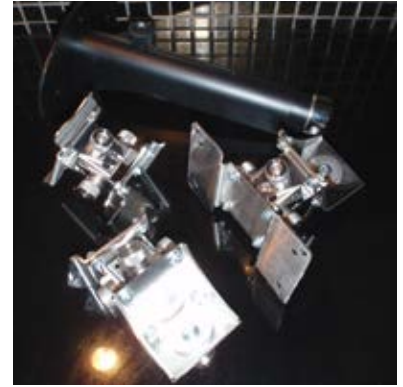
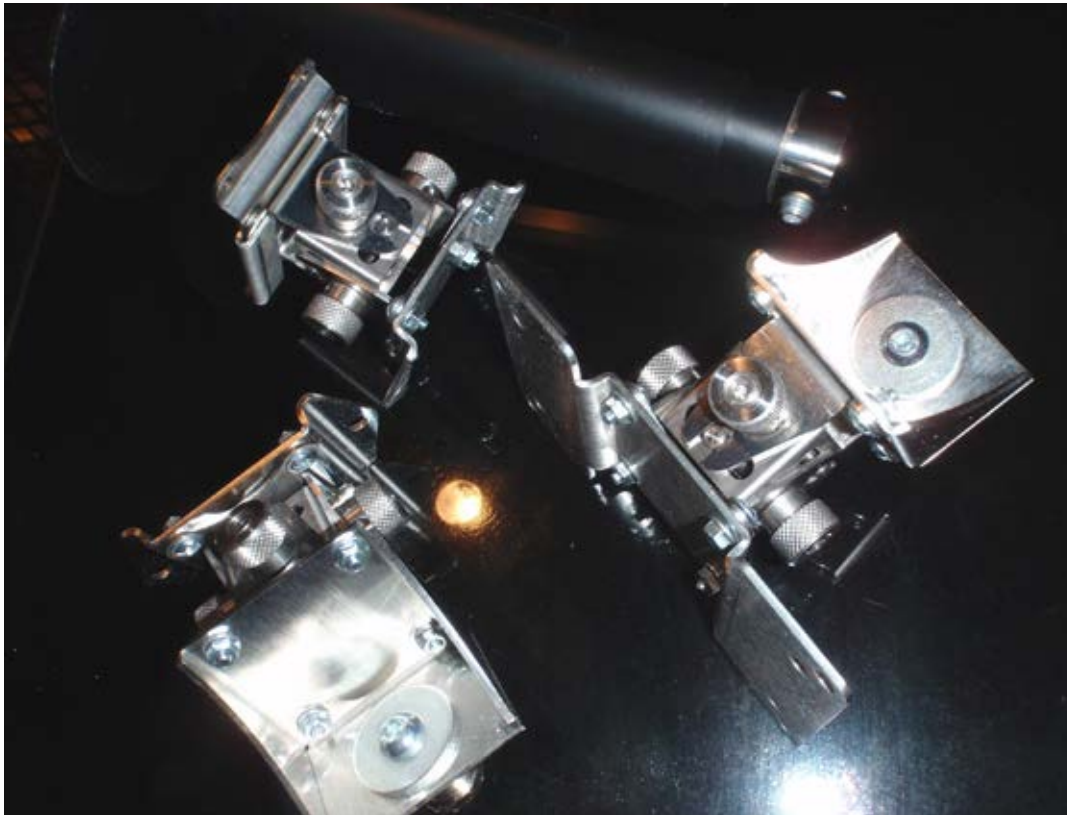


Simple Slotwall bracket used for hanging one 8020 or 8030/8130 in a fixed position.

ACCESSORIES

Order code	Description	Brand / part no	6010	8020	8030 8130	8040 8240	8050 8250	8260	Other
FLOOR STANDS									
8000-409B	Floor stand (950 - 1430 mm)	K&M 26741-029-55	X	X	X	X	X		
8000-403	Floor stand (mic stand)	K&M 26000-300-55	X	X	X				
1037-415B	Floor stand for 1037 monitor	K&M 45100-000-55							1037
1038-415B	Floor stand for 1038 monitor	K&M 45110-000-55							1038
8000-400	Genelec Design stand	K&M 26785-000-56			X (2)	X	X		
8260-415B	Floor stand for 8260	K&M 26795-000-56						X (1)	
TABLE STANDS									
8000-406	Short table stand (17 cm)	K&M 23310-370-55	X	X	X	X (1)			
8000-425B	Adjustable height table stand (301-527 mm)	K&M 23360-300-55	X	X	X	X (2)			
8010-205	Table stand with glass base	K&M 23280-300-00	X						
8010-320B/W	Table stand L-shape for 6010, Black / white	K&M 23270-300-55/-57	X						
8020-320B/W	Table stand L-shape for 8020, Black / white	K&M 23274-000-55/-57		X					
STAND PLATES									
8010-408/W	Stand plate for 6010, Black / white	K&M 19621-329-55/-57	X						
8020-408	Stand plate for 8020	K&M 19622-329-55		X					
8030-408	Stand plate for 8030 / 8130	K&M 19623-329-55			X				
8040-408	Stand plate for 8040 / 8240	K&M 19624-329-55				X			
8050-408	Stand plate for 8050 / 8250	K&M 19625-329-55					X		
8260-450B	Stand plate for 8260	K&M 19628-300-56						X	
1032-450B	Stand plate for 1032 (S30D)	K&M 24455-000-55							1032
CEILING MOUNT									
8000-415B	Adjustable height ceiling mount (905-1505 mm)	K&M 24490-000-55	X	X	X	X	X		
8000-417B	Truss mount	K&M 24495-000-55	X	X	X	X	X		
8260-465B	Truss mount kit, black	K&M 24492-000-55						X	
8000-435B/W	Short ceiling mount, Black / white	K&M 24485-000-55/-57	X	X	X	X	X		
WALL MOUNT									
8010-202B/S/W	Wall & Ceiling mount, black packed in pairs, Black / silver / white	Sanus WMS3B / S / W	X						
8000-401B	Wall mount, Black	K&M 24180-000-55				X			
8000-422B/W	Wall mount with T-plate, Black / white	K&M 24160-000-56/-66	X	X	X				
8000-402B/W	Wall mounting bracket, Black / white	K&M 24475-000-55/-57	X	X	X	X	X		
6010-410B/W	Wall mount bracket (included in 6010), Black / white	Genelec	X						
8000-410B/W	Wall mount (simple bracket), Black / white	Genelec	X	X	X				
8260-414B	Wall mount for 8260	K&M 24478-000-55						X	
1032-460B	Wall mount for 1032 (S30D)	K&M 24453-000-55							1032
1037-414B	Wall mount for 1037 monitor	K&M 24457-000-55							1037
1038-437B	Wall mount for 1038CF / 1238CF	K&M 24477-000-55							1038CF / 1238CF
5040-410B/W	Adapter plate for 5040 Subwoofer, Black / white	Genelec							5040
FLUSH MOUNT									
8040-450B	Flush mount kit for one 8040 / 8240	Genelec				X			
8050-450B	Flush mount kit for one 8050 / 8250	Genelec					X		
8260-470B	Flush mount kit for one 8260	Genelec						X	
VESA ADAPTER									
8000-437B	VESA adapter 75/100 mm	Genelec	X	X	X	X	X		
OTHER									
8000-419B	Adapter for 36 mm tubes to 3/8"	K&M 24521-900-55	X	X	X	X	X		
1038-605	Top adapter 3/8" for floor stand 8000-409B to fit 1038CF / 1238CF	K&M 26739-329-00							1038CF / 1238CF
8000-432	Security wire for truss mounts	SW-02							
CARRYING ACCESSORIES									
8000-430	Handle Strap	Genelec	X	X	X	X	X		
5040-421	Bag for one 5040	Genelec							5040
6010-421	Bag for 2 pcs 6010	Genelec	X						
8020-422	Bag for 2 pcs 8020	Genelec		X					
8030-422	Bag for 2 pcs 8030 or 8130	Genelec			X				
8040-422	Bag for 2 pcs 8040 or 8240	Genelec				X			
8050-422	Bag for one 8050 or 8250	Genelec					X		
SLOTWALL MOUNTS									
8000-902B	Slotwall bracket 8020 - 8030 / 8130	K&M 44102-029-55	X	X	X				
8000-904B	Slotwall bracket 8040 / 8240 - 8050 / 8250	K&M 44104-029-55				X	X		
MAI-0076	Slotwall bracket, simple 8020 and 8030 / 8130	Genelec	X	X	X				

(1) = Stand plate needed. (2) = not recommended



ITALIAN SPECIAL ACCESSORIES

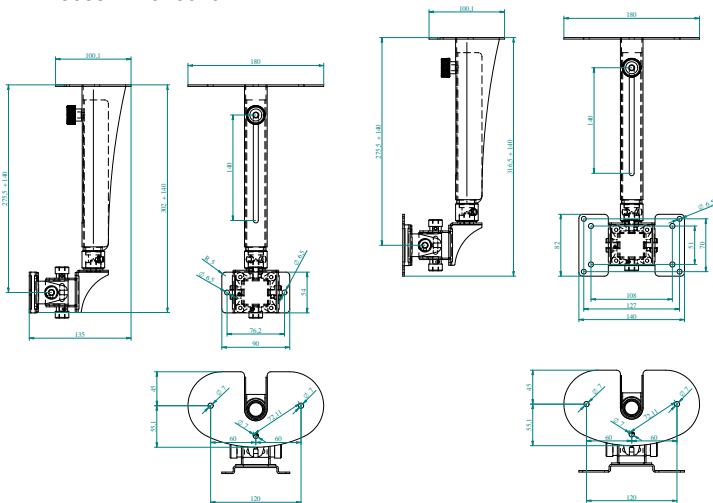
Genelec speaker mounts

Material of the tilting device: stainless steel. Ceiling tube extension: max 60mm. Swivel rotation in both axis : +/- 30°.

Ceiling mount

10682 for 6010; 8020; 4020; 8030; 4030

10683 for 8040



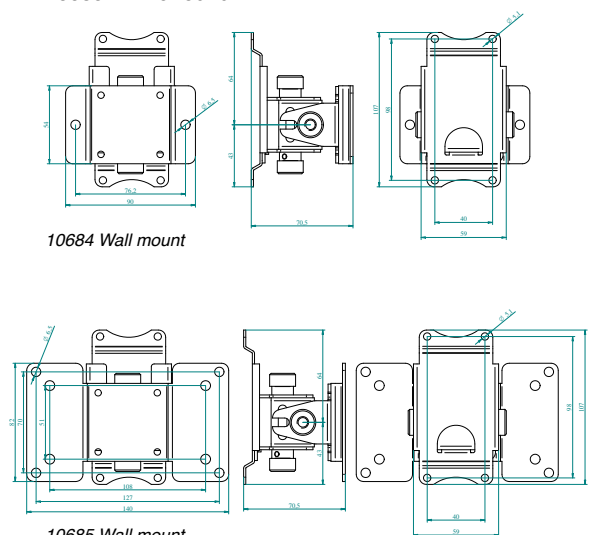
10682 Ceiling mount

10683 Ceiling mount

Wall mount

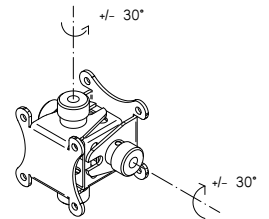
10684 for 6010; 8020; 4020; 8030; 4030

10685 for 8040



10684 Wall mount

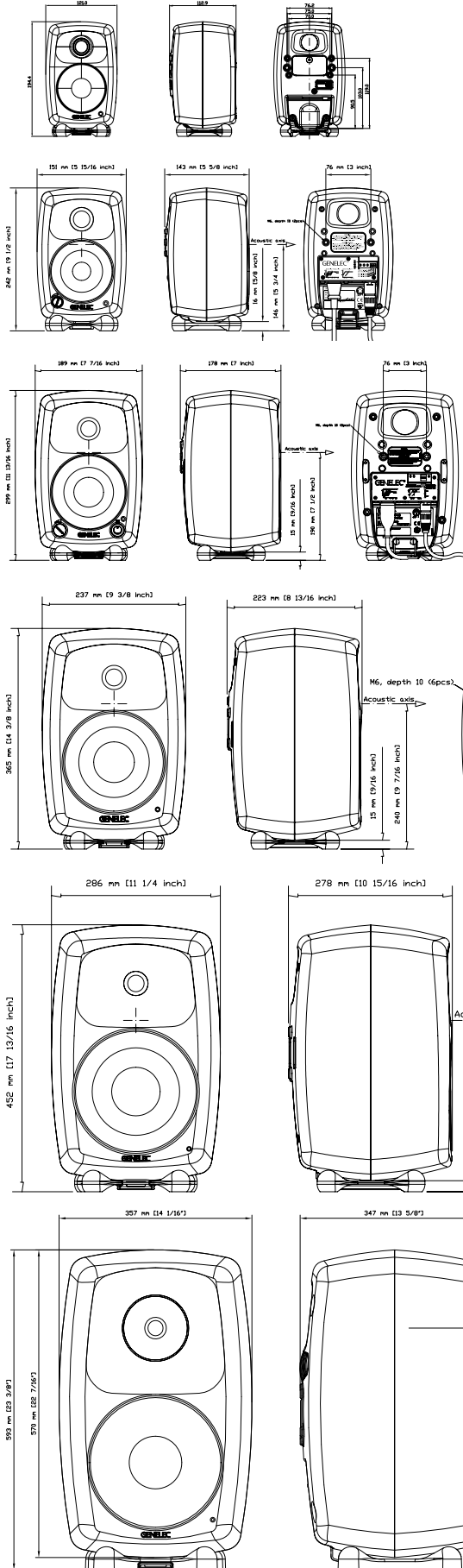
10685 Wall mount



These products are designed and developed in Italy by Euromet Srl for Genelec 8000 series monitors.
They are available from EUROMET Srl, Z.I. Brodolini, LORETO (AN), Italy. Tel +39 (0)71 976444, www.euromet.com

8000 SERIES MONITOR MODELS

CAD and PDF files are available on
www.genelec.com/technical-documents/line-drawings/



8010

8020

8030

8040

8050

80260

GENELEC®

www.genelec.com

International enquiries:
Genelec, Olvitie 5
FIN-74100, Iisalmi, Finland
Phone +358 17 83881
Fax +358 17 812 267
Email genelec@genelec.com

In the U.S. please contact:
Genelec, Inc., 7 Tech Circle
Natick, MA 01760, USA
Phone +1 508 652 0900
Fax +1 508 652 0909
Email genelec.usa@genelec.com

In China please contact:
Beijing Genelec Audio Co. Ltd.
Jianwai SOHO, Tower 12, Room 2306
39 East 3rd Ring Road
Chaoyang District
Beijing 100022, China
Phone +86 10 5869 7915
Fax +86 10 5869 7914

In Sweden please contact:
Genelec Sverige
Ellipsvägen 10B
P.O. Box 5521, S-141 05 Huddinge
Phone +46 8 449 5220
Fax +46 8 708 7071
Email info@genelec.com