

# AW566 High Power 2-Way All Weather Loudspeaker with 1 x 15" LF & Rotatable Horn

## Professional Series

### Key Features:

- ▶ Weather-Resistant, All Fiberglass Enclosure
- ▶ 60° x 60° Coverage
- ▶ 2265H-1 Differential Driver® Low-Frequency Driver
- ▶ 2432H High Frequency Compression Driver
- ▶ Large PT™ Progressive Transition waveguide for excellent pattern control and low distortion
- ▶ Available in Gray and Black finish
- ▶ 400 W, 70/100V Transformer Included
- ▶ U-type Mounting Bracket Included

### Applications:

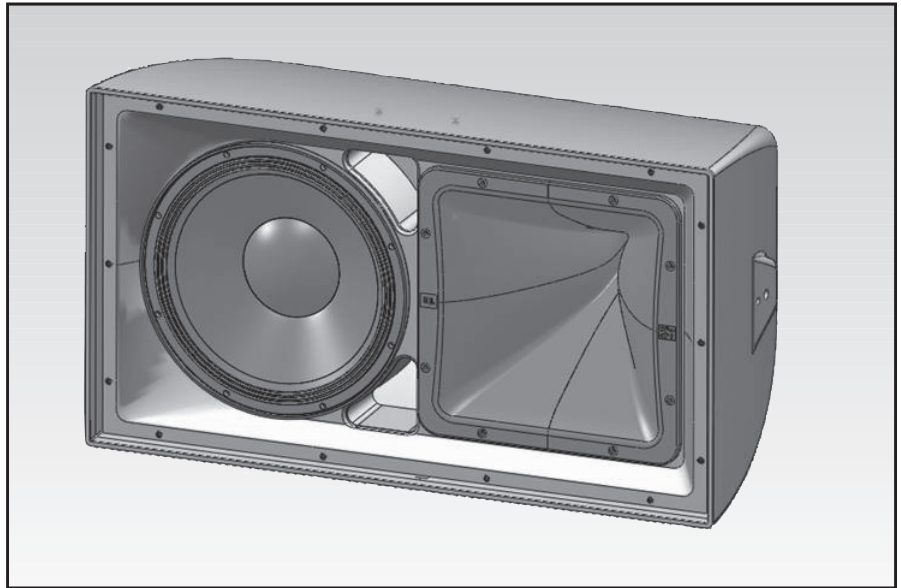
- ▶ Sports Facilities
- ▶ Themed Entertainment Venues
- ▶ Outdoor Entertainment Centers
- ▶ Cruise Ships
- ▶ Water Parks

The AW566 is a high power, lightweight, 2-way, full-range loudspeaker system comprised of the JBL Differential Drive dual voice coil and dual magnetic gap 2265H-1 380 mm (15 in) low-frequency driver and 2432H high-frequency 38 mm (1.5 in) exit, 75 mm (3 in) voice-coil compression driver. The large format Progressive Transition wave-guide provides excellent 60° x 60° coverage. The loudspeaker system can be used in either the vertical or horizontal orientation.

The enclosure is constructed of multilayer glass composite and is heavily braced to maximize low-frequency performance. The 14-gauge stainless steel grille, backed with open cell foam and stainless steel mesh, provides excellent protection in the harshest environments. The system is equipped with a 400 W 70/100V transformer.

A heavy-duty stainless steel U-type mounting bracket is included and allows for easy installation on flat surfaces or in 90° corners.

The AW566 is part of JBL's AE Series, a versatile family of loudspeakers intended for a wide variety of applications.



### Specifications:

<b>System:</b>	
Frequency Range (-10 dB):	34 Hz – 20 kHz
Frequency Response (±3 dB):	40 Hz – 18 kHz
Coverage Pattern:	60° x 60°, rotatable waveguide
Directivity Factor (Q):	14.5
Directivity Index (DI):	11.6 dB
Crossover Frequency:	1.4 kHz
Long-Term System Power Rating (IEC):	600 W (2400 W peak), 100 hrs
Maximum SPL:	124 dB-SPL cont avg (130 dB peak)
System Sensitivity (1W @ 1m):	96 dB SPL
70V/100V Transformer Taps:	400W, 200W (100W 70V only), and 8Ω
<b>Transducers:</b>	
<b>Low Frequency Driver:</b>	1 x JBL 2265H 380 mm (15 in) Differential Drive® driver with 75 mm (3 in) dual voice coil
Nominal Impedance:	8 ohms
Sensitivity <sup>3</sup> (1W @ 1m, within operational band):	98 dB SPL
<b>High Frequency Driver:</b>	JBL 2432H, 38 mm (1.5 in) exit compression driver, 75 mm (3 in) voice coil
Nominal Impedance:	8 ohms
Sensitivity <sup>3</sup> (1W @ 1m):	114 dB SPL
<b>Waveguide:</b>	PT-H66HF-1
<b>Physical:</b>	
<b>Enclosure:</b>	Hand-Laminated Fiberglass, gray gelcoat (black available)
<b>Suspension Attachment:</b>	2 x M10 for Included U-Bracket, 2 x M6 for aiming stabilization, 1 x M10 on rear for safety.
<b>Grille:</b>	Three layer grille assemblies consisting of 14-gauge powder coated stainless steel, backed with open cell foam and stainless steel mesh.
<b>Input Connector:</b>	CE-compliant covered barrier strip terminals. Barrier terminals accept up to 5.2 sq mm (10 AWG) wire or max width 9 mm (.375 in) spade lugs.
<b>Environmental Specifications:</b>	IP56 per IEC 529
<b>Dimensions (H x W x D in vertical cabinet orientation):</b>	781 x 420 x 503 mm (30.8 x 16.5 x 19.8 in)
<b>Net Weight:</b>	27.2 kg (60 lb)

<sup>1</sup>IEC standard, full bandwidth pink noise with 6 dB crest factor, 100 hours.

<sup>2</sup>Calculated based on power rating and sensitivity, exclusive of power compression.

<sup>3</sup>Anechoic sensitivity in free field, no additional sensitivity gain from boundary loading.

JBL continually engages in research related to product improvement. Changes introduced into existing products without notice are an expression of that philosophy.