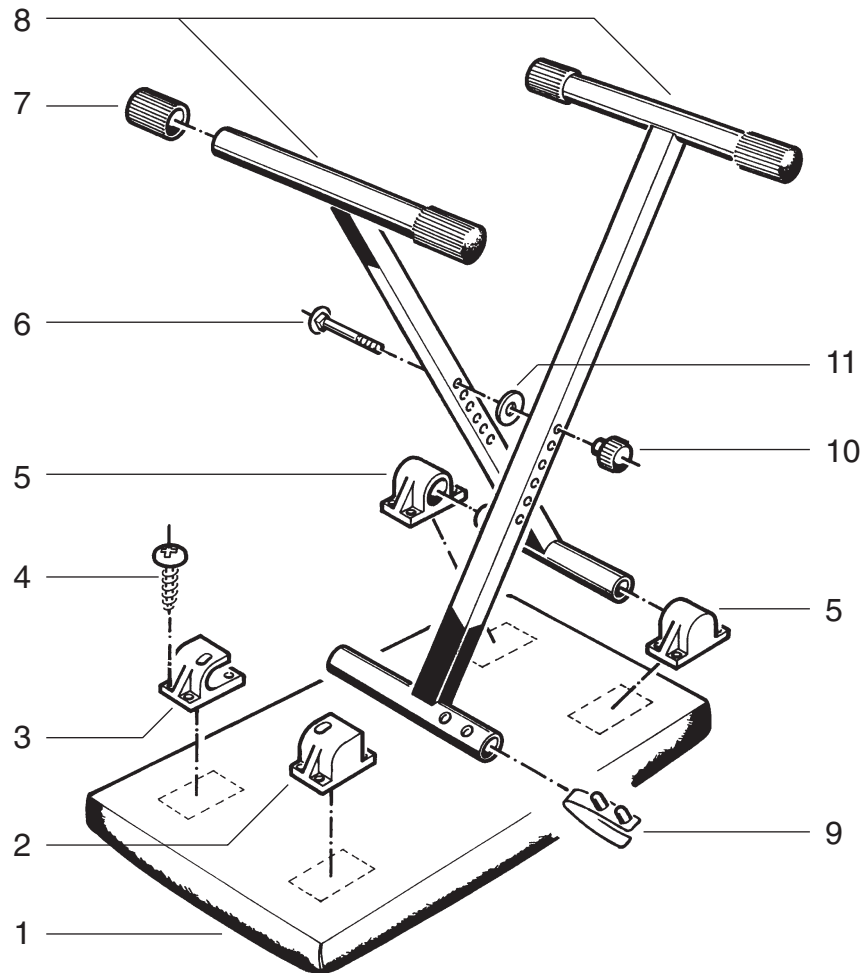


14065 Keyboard Bench

14065.000.55 black



| pos. | description | art.-no. | qty |
|------|---|--------------|-----|
| 1 | seat cushion | 6.14065.1.55 | 1 |
| 2 | base link open right | 01.87.945.55 | 1 |
| 3 | base link open left | 01.87.946.55 | 1 |
| 4 | button headed screw \varnothing 5 x 20 mm | 03.06.250.29 | 16 |
| 5 | base link closed | 01.87.940.55 | 2 |
| 6 | carriage bolt M6 x 60 mm | 03.07.360.29 | 1 |
| 7 | end cap \varnothing 25 mm | 01.94.770.55 | 4 |
| 8 | H-support tube complete | 5.14065.1.55 | 2 |
| 9 | locking spring | 5.14065.2.00 | 1 |
| 10 | locking nut M6 | 01.81.715.55 | 1 |
| 11 | washer \varnothing 6,4 mm | 03.11.430.29 | 1 |