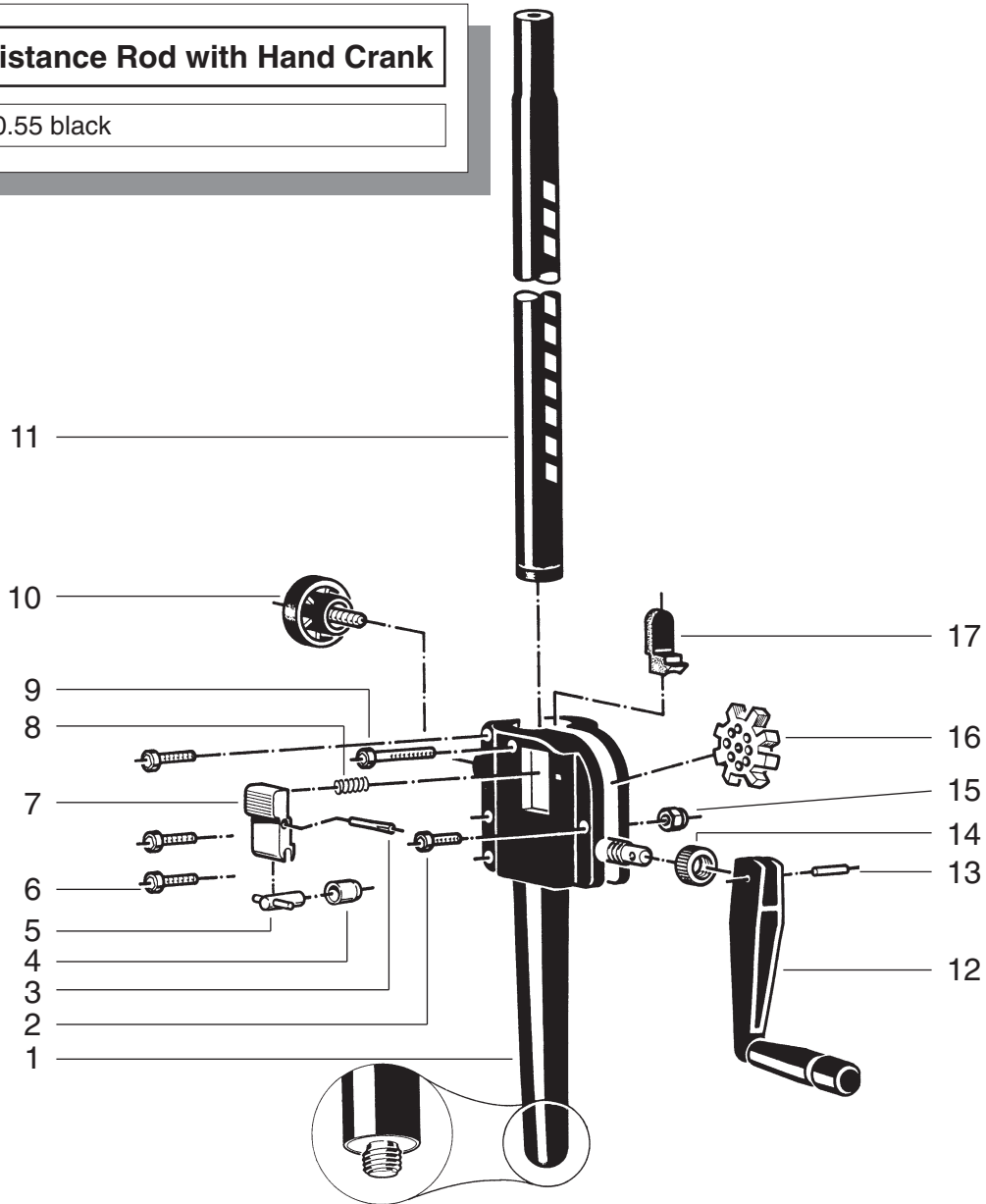


## 21339 Distance Rod with Hand Crank

21339.000.55 black



pos.	description	art.-no.	qty
1	base rod with thread bolt M20	5.21337.1.55	1
2	socket head screw M6 x 16 mm	03.02.210.00	1
3	cap nut $\varnothing$ 3x 30 mm	03.14.150.29	1
4	reinforcing sleeve	01.05.105.00	1
5	spring loaded locking bolt with straight pin	6.21300.4.00	1
6	socket head screw M6 x 22 mm	03.02.225.25	3
7	lever	02.41.690.64	1
8	compression spring	03.15.140.00	1
9	socket head screw M6 x 40 mm	03.02.250.25	1
10	locking knob M8 x 33 mm	01.82.583.55	2
11	extension rod	02.77.376.55	1
12	hand crank	21303.000.55	1
13	rivert $\varnothing$ 4 x 27 mm	02.61.585.01	1
14	knurled adjusting nut	01.06.450.35	1
15	cap nut	03.80.330.29	5
16	gear	03.41.705.00	1
17	finger guard	01.89.710.55	1