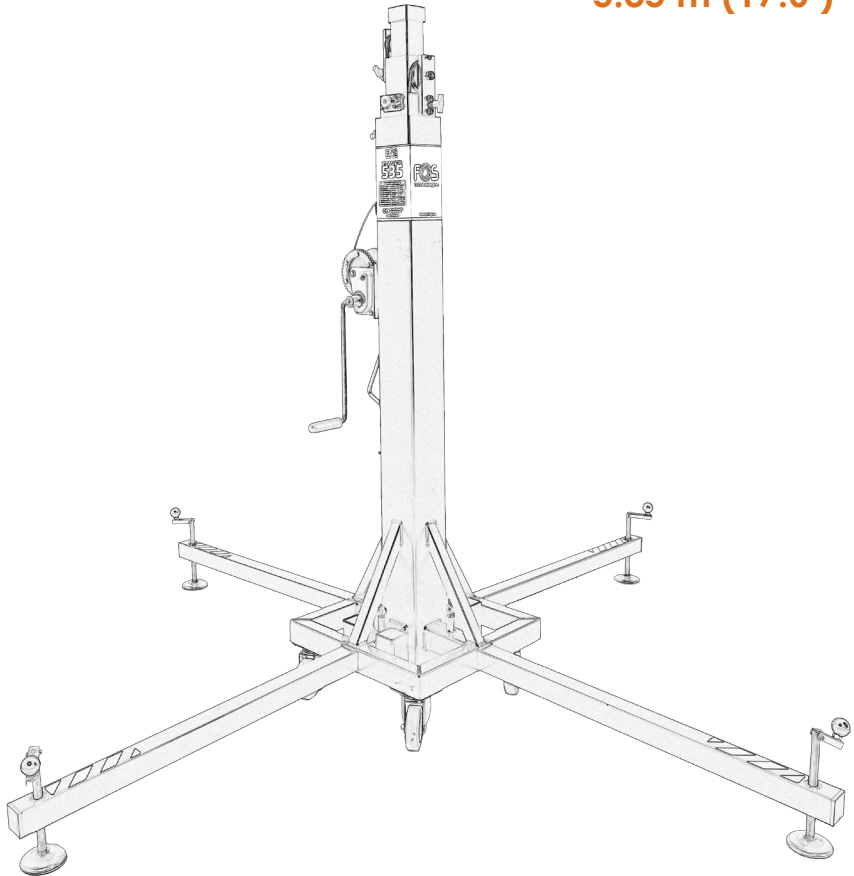


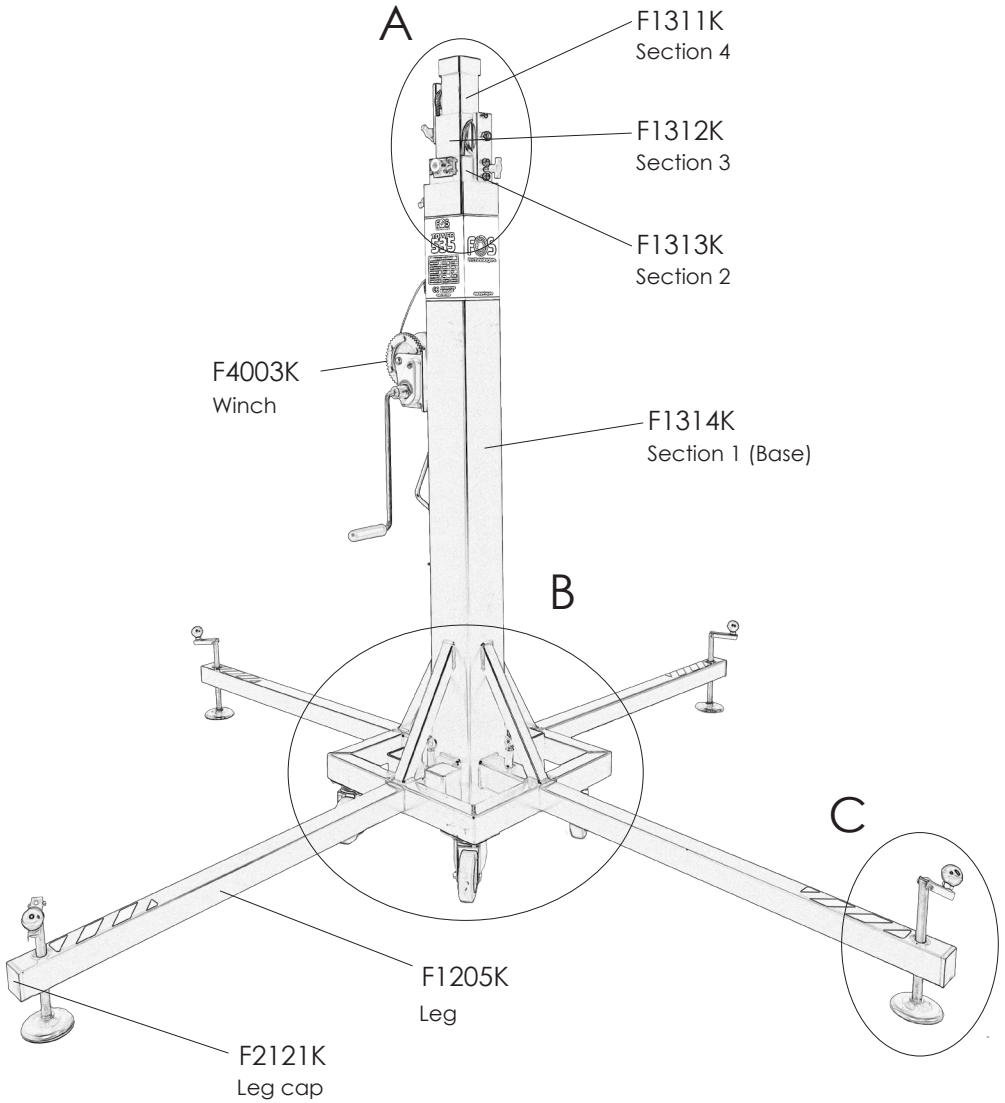


# TOWER 535

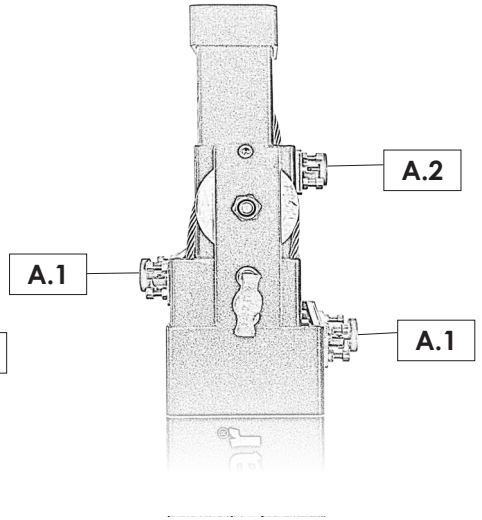
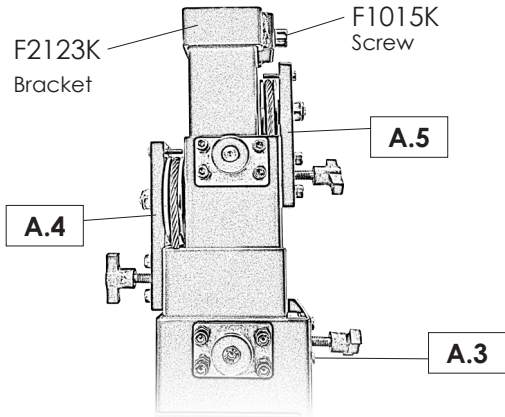
250 kg (551.2lb)  
5.35 m (17.6')



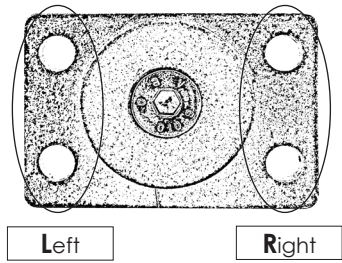
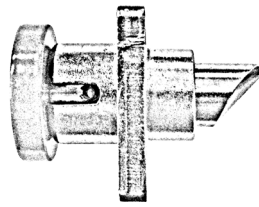
## MATERIAL TELESCOPIC LIFTER User Manual













**A**

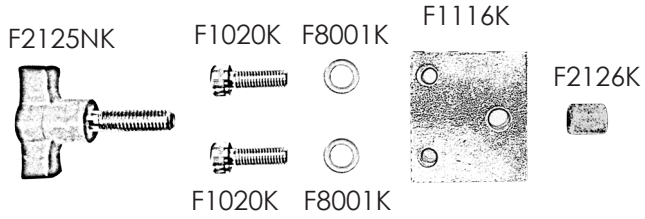


F2183K  
FOS Lock

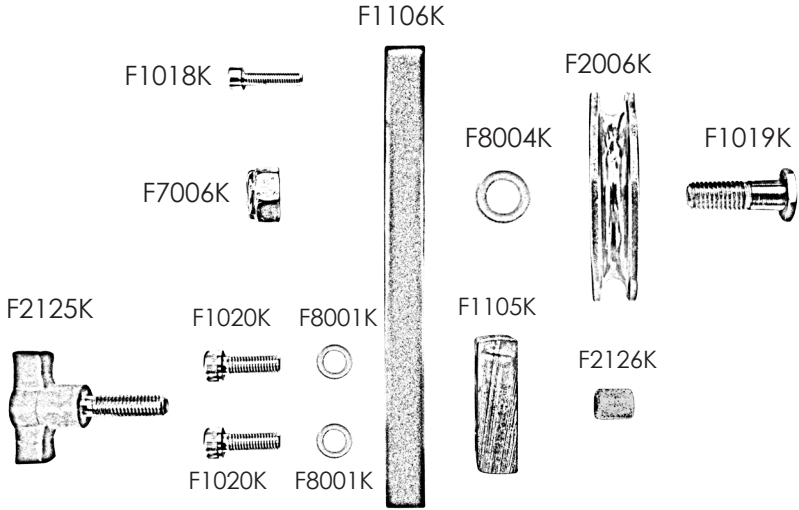


F2183K:	A.1			A.2		
	F1061K	F7005K	F2124K	F1061K	F7005K	F2124K
Left	 (x2)	 (x2)		 (x2)	 (x2)	
Right	F1061K  (x2)	F7005K  (x2)	F2124K 	F1012K  (x2)		

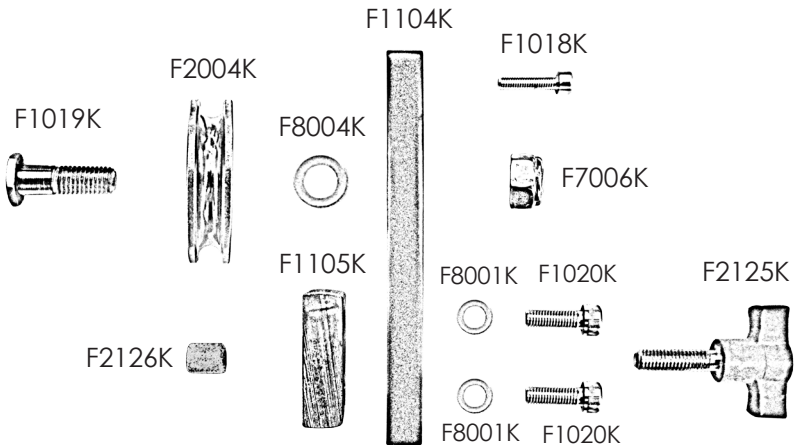
**A.3**



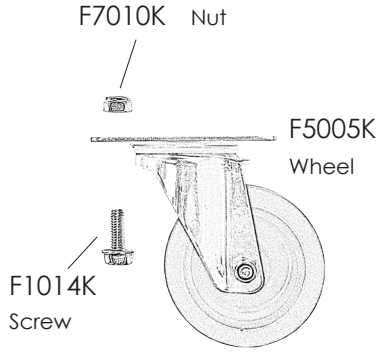
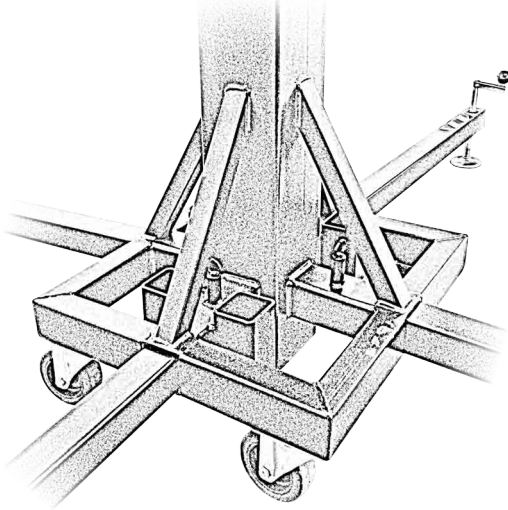
**A.4**



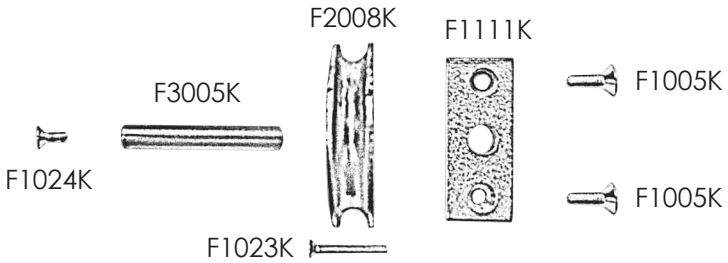
**A.5**



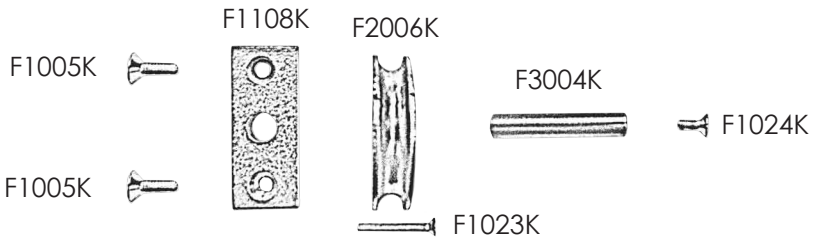
**B**



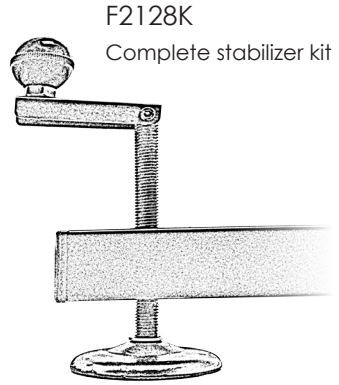
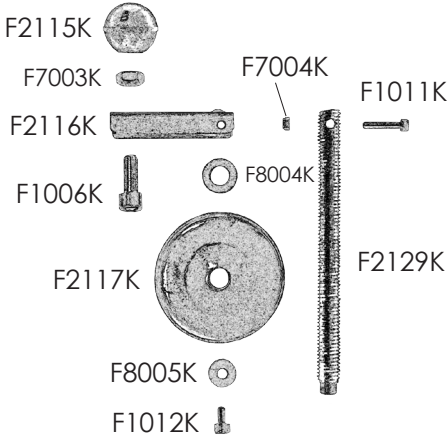
**B.1**



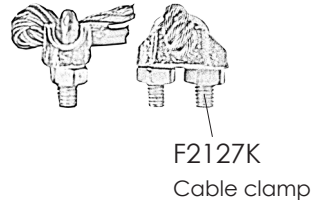
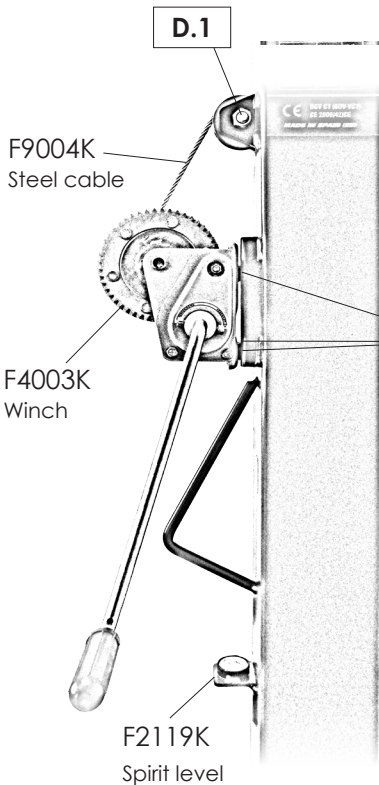
**B.2**



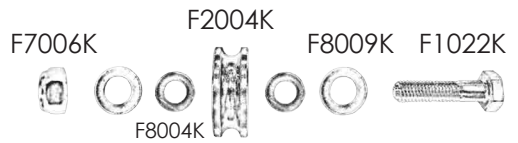
**C**



**D**



**D.1**



<b>Code/Código</b>	<b>Description/Descripción</b>
F1005K	Conic screw M6x16
F1006K	Allen screw M10x25
F1011K	Allen screw M5x25
F1012K	Allen screw M6x10
F1014K	Hexagonal taptite screw
F1015K	Allen screw M12x25
F1018K	Allen screw M6x25
F1019K	Special M12 screw
F1020K	Allen screw M8x25
F1021K	Allen screw M10x20
F1022K	Allen screw M12x40
F1023K	Conic screw M6x35
F1024K	Conic screw M6x12
F1061K	Headless allen screw M6x25
F1104K	Pulley support plate Ø 60
F1105K	Interior plate
F1106K	Pulley support plate Ø 80
F1108K	Axel plate 80
F1111K	Axel plate 100
F1116K	Interior steel piece
F1205K	Leg profile
F1311K	Section 4 FOS 535
F1312K	Section 3 FOS 535
F1313K	Section 2 FOS 535
F1314K	Section 1 (Base) FOS 535
F2004K	Pulley Ø 60
F2006K	Pulley Ø 80
F2008K	Pulley Ø 90
F2115K	Stabilizer ball
F2116K	Stabilizer handle
F2117K	Stabilizer plate Ø 80
F2119K	Spirit level indicator

F2121K	50x50 leg tap
F2123K	60x60 Bracket
F2124K	Lock runner
F2125K	M10x35 Knob
F2125NK	M10x20 Knob
F2126K	Nylon rest
F2127K	Cable clamp screw Ø6mm
F2128K	Complete stabilizer
F2129K	Threaded bolt M16
F2183K	FOS 535 Lock
F3004K	12x80 Axel
F3005K	12x100 Axel
F4003K	450 Kg Winch with long handle
F5005K	Ø100 blue wheel with 4 screws plate
F7003K	Nut M10
F7004K	Auto-block nut M5
F7005K	Nut M6
F7006K	Auto-block nut M12
F7010K	Auto-block nut M6
F8001K	Flat M8 washer
F8003K	Flat M10 washer
F8004K	M12 washer
F8005K	Wide M6 washer
F8009K	Flat M14 washer
F9004K	Cable FOS 535 (Ø6 mm)



# Operating Instructions

## 1 - INTRODUCTION.

Dear user. Thank you purchasing your FOS 535 lifter. We hope you will be very satisfied with it.

This manual has been written so that you can understand how to effectively use the lift and most importantly, so that you can use it safely.

It is important that you fully read the manual and follow the instructions carefully before using your lift. All FOS lifts undergo a very strict quality control process during their manufacture. So that your lift always works properly please only purchase original FOS parts from an authorized distributor or dealer. The user waives all warranty rights if using parts other than FOS or if the product is manipulated in any way by an unauthorized third party. When requesting parts, please refer to the diagrams in the back of this manual and quote the serial number and year of manufacture located on your lifter.

## 2.- TECHNICAL SPECIFICATIONS.

The FOS 535 has been designed for vertically lifting lighting, trussing etc in the Professional sound and light sector. There is various supports or accessories available, please refer to our website or catalogue.

2.1 - Max. load: 250 kg (551.16 lb)

2.2 - Min. load: 25 kg (55 lb)

2.3 - Max. height: 5.35 m (17.6')

2.4 - Folded height: 1.74 m (5.70')

2.5 - Work surface: 2.16 x 2.16 m (7' x 7')

2.6 - Folded base area: 47 cm x 47 cm (1.5' x 1.5')

2.7 - Weight: 80 Kg (176.4 lb)

2.8 - Winch: 450 kg certified (Long Handle)

2.9 - Cable: Steel DIN 3060. Tensile strength 180 kg/mm<sup>2</sup>. Anti-torsion & anti-corrosion 6 mm cable diameter.

2.10 - Construction material: Steel profiles EN 10305.

2.11 - Antirust protection priming paint bathed black steel, covered with cured polyester dust.

2.12 - Four-profile telescopic system operated by steel cable driven by pulleys with metal protected bearing pads. Adaptor Ø55 mm.

# Operating Instructions

2.13 -FOS lock on each section which automatically slots in to the sections during elevation, locking them in place.

2.14 - Anchor of the legs by safety catches.

2.15 - Adjustable stabilizer plates in the legs with nonslip rubber base support.

2.16 - Spirit level for vertical alignment.

2.17 - Swivel wheels for transporting the lifter to its working position.

## **3. - SAFETY GUIDELINE.**

3.1.- Situate the tower on a solid and flat surface.

3.2.- Check that the legs are fully inserted and secured in to their housing with the safety locks.

3.3.- Ensure that the lifter is in a vertical position and use the spirit level located on the base profile to check. If necessary, adjust its alignment with the plates by turning the handle in the appropriate direction.

3.4.- Check that the tower is locked in its working position with the safety lock.

3.5.- When used outdoors, place the tower on a hard surface and if necessary secure it against excess wind force via cable braces.

3.6.- Do not use ladders nor lean them against the lifter.

3.7.- Be careful with any cables, prominent objects etc. placed above the tower.

3.8.- Do not stand underneath the load.

3.9.- Do not move the tower when it is elevated or loaded.

3.10.- Before using the tower, check the condition of the cable. This must be free of cuts and frays. Never use damaged cables.

3.11.- Never dismount the winch handle or any element of the winch under any circumstance.

3.12.- Once the tower is set-up in its working position we recommended the winch handle is locked to avoid anyone interfering with it.

3.13.- The minimum load for a safe operation of the brake is 25 kg. The brake will not function without this minimum load.

3.14.- Do not grease or lubricate the brake mechanism of the winch.

3.15.- This lift cannot lift human beings,

# Operating Instructions

3.16.- For transportation it is necessary to retract all profiles and lock them with the corresponding safety lock.

## 4. - OPERATION.

4.1.- Place the tower on a flat and solid surface where it is going to be used.

4.2.- Remove the legs from their support brackets and insert them in their working position. Check that they are fully inserted and fixed with the safety lock.

4.3.- Ensure that the lifter is in a vertical position and use the spirit level located on the base profile to check the bubble is centred. If necessary, adjust its alignment with the stabiliser plates by turning the handle in the appropriate direction.

4.4.- Attach the load to the tower using the desired support (the support varies upon the application), and ensure it is only used to lift loads vertically. The minimum load is 25 kg.

4.5.- **Elevation:** Extend the tower by turning the winch handle clockwise, lifting the load to the desired height.

4.6.- **Hold:** Release the winch handle, it will remain in position by the action of the winch's automatic brake. Ensure the FOS lock has introduced in to the profile by turning the handle slightly anti-clockwise.

4.7.- **Continue elevating:** Turn the winch handle again clockwise and lift the load until the next profile is fully extended. Release the handle which will remain fixed by the winch's automatic brake and ensure again the FOS lock has introduced into the second profile by turning the handle again anti-clockwise. The tower can be stopped in any desired intermediate position. Simply release the winch handle and secure the tower by inserting the corresponding FOS lock into the hole which is closest to the required position.

4.8.- **Descent:** Firstly unlock the safety lock and turn the winch handle anti-clockwise until the intermediate profile is completely folded down. Now unlock the next FOS lock and retract the following profile. Just as when lifting the load, the lift may be stopped at any intermediate position.

4.9.- **Transport:** Four swivel wheels are located at the base for transporting the lifter. Before transport it is necessary to fold down the tower by retracting its profiles completely. Dismount the legs by releasing the safety locks and place them back in their transport compartments.

# Operating Instructions

## 5.- MAINTENANCE.

5.1.- All cables must be checked regularly. Faulty cables must be replaced immediately. Do not use the lifter with faulty cables as it is potentially very dangerous. Only use DIN 3060 cables, supplied from an authorised dealer.

5.2.- The lifter is delivered ex factory completely greased. Depending on its mechanical Use though, we recommend that the crown wheel of the winch, the pads & bushings of the drive shaft, the handle thread and the profiles of the lift are periodically greased.

### ATTENTION:

Do not apply oil or grease to the brake mechanism. The brake discs have been pre-greased with a special heat and pressure resistant grease. To avoid malfunction to the winch brake, no other products must be used except the original provided by the company. It is not necessary to grease the brake discs.

5.3.- Your lifter should be inspected at least once a year by a specialized / authorized service centre.

5.4.- Only original FOS spare parts must be used to guarantee the reliability and operational safety of your lifter. The user shall lose all warranty claims if he uses anything other than original spare parts or modifies this product in any way.

5.5.- In case a spare part is required please indicate the reference number which can be found in the spare parts list at the back of this manual.

## 6.- WARRANTY.

All FOS lifts come with 2 years warranty. This warranty period is from the date of purchase. FOS will repair any defect product caused by either faulty materials or poor workmanship free of charge within this period as long as the parts are fitted by an authorized FOS dealer. Should the product have been manipulated in any way or a repair attempted by an unauthorized dealer the warranty will be invalid. This warranty does not cover damage occurred by improper use.

## 7.- CERTIFICATIONS

FOS reserves the right to make any modification/alteration to the lift without prior notice. Any modification/alteration would be an innovation, intended to improve the product.









**TOWER**  
**535**

**FOS Technologies LTD**  
Bulevard Iliensko Shose 8  
Sladova Baza ZMM, Sofia, BG  
[info@fos-lighting.eu](mailto:info@fos-lighting.eu)  
[www.fos-lighting.eu](http://www.fos-lighting.eu)

**Call Center : +30 2102811700**