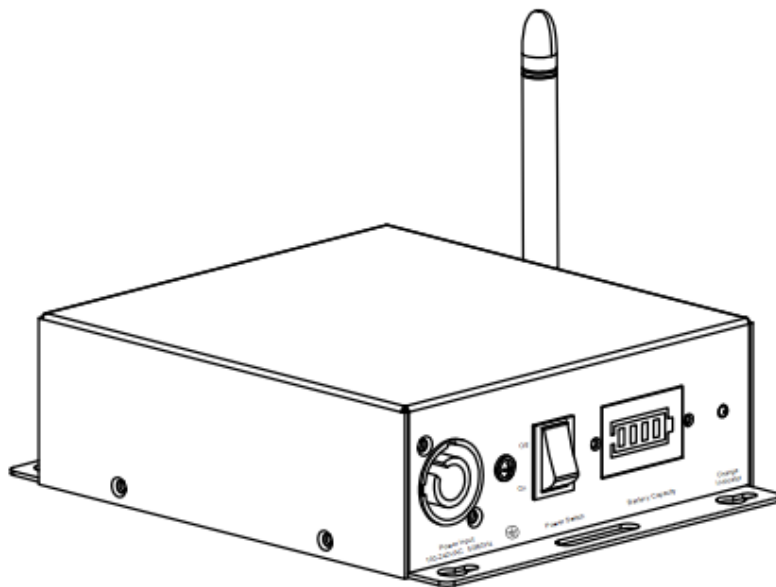


WIRELESS DMX TRANSCEIVER



AirLink Pro
2.4GHz

USER'S MANUAL



FOS Technologies Ltd.

Before you operate this fixture read the manual carefully. Always make sure to include the manual if you pass/rent/sell the fixture to another user.

1. WARNING

1.1 Safety Instructions

This product guide contains important information about the safe installation and use of this product. Please read and follow these instructions carefully and keep this manual in a safe place for future reference.

When unpacking and before disposing of the carton, check there is no transportation damage before using the product. Should there be any damage caused by transportation, consult your dealer and do not use the product.

The product is for indoor use only. Use only in dry locations. Keep this device away from rain and moisture, excessive heat, humidity and dust. Do not allow contact with water or any other liquids.

The product is only intended for installation, operation and maintenance by qualified personnel.

Do not attempt to dismantle and/or modify the product in any way.

If this fixture is operated in any other way other than the one said in this manual, this device may suffer damages and thus the warranty becomes void.

This product has an M12 nut, and can be installed to truss and crossbar. Concerning rigging, trussing for this product, please follow the European and national guidelines.

Only the qualified technicians are allowed for the device installation,

The fixture must never be mounted for a possible swinging position, and a safety cord attached must always be used.

IMPORTANT:

The manufacturer will not accept liability for any resulting damages caused by the non-observance of this manual or any unauthorized modification to the fixture.

2. PRODUCT INTRODUCTION

2.1 Items in the Package

After receiving this product, please carefully unpack the product and make sure the following parts are all included inside the package and are all in good condition.

- AirLink Pro – 1 pcs
- Power cable - 1 pcs
- This manual

In case the package is damaged from shipping, inform the carrier right away while keeping the damaged box for inspection. Failure to report damage to the carrier immediately may cause invalidity to your claim. The dealer or manufacture will not take any responsibilities for the damage.

In case there are parts missing from the box with a good condition, please contact your dealer or the manufacturer immediately by email or in other written form.

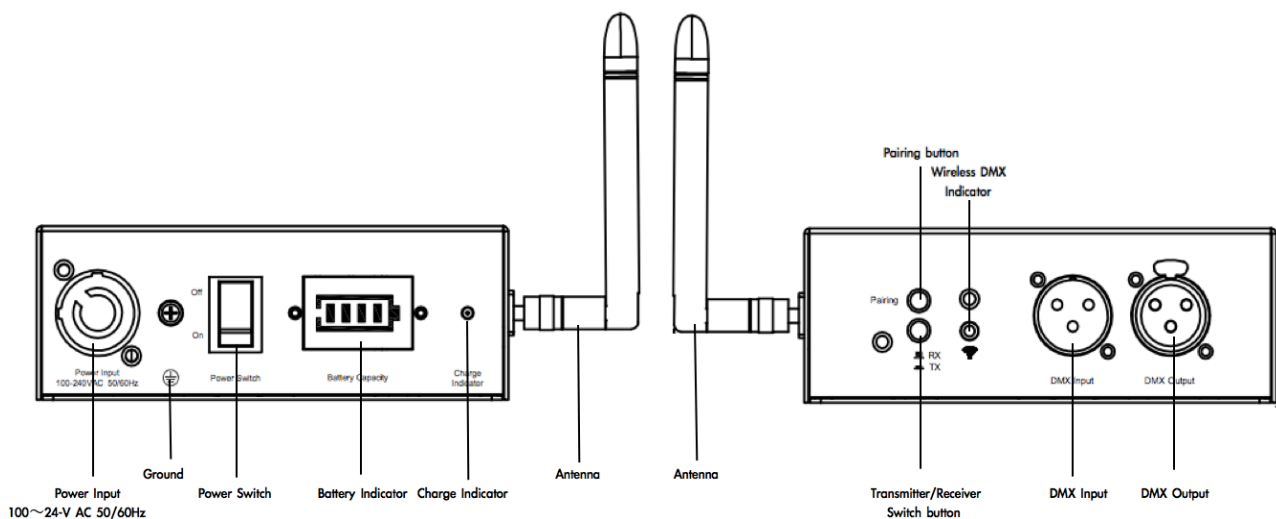
2.2 About the Product

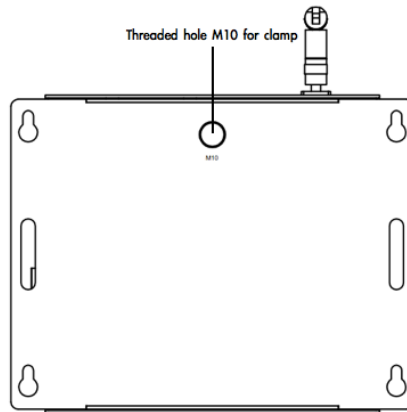
AirLink Pro can work as transmitter and receiver as well. AirLink Pro can work to control any lighting fixtures controllable with standard DMX 512 protocol. Just press the GREEN button to switch between transmitter and receiver.

2.2.1 main Features

- Switching between transmitter and receiver;
- Wireless DMX eliminates extensive cabling between DMX controller and the DMX-controlled units in lighting installations;
- Operating range up to 400m (with line-of-sight);
- 1 to 512 receivers can be controlled by each transmitter;
- Plug & Play: quick and easy setup with one operating button • LED indication for operation and functions;
- DMX input and output, 3-pin XLR;
- Truss attachment option;
- 2.4 GHz - license-free worldwide;
- Battery powered for up to 15 hours working life.

2.2.2 AirLink Pro Overview





2.2.3 Battery Charge

AirLink Pro has a rechargeable lithium battery and auto-ranging charger. Users can charge AirLink Pro with AC power 100-240V. Connect the box power input to the mains with the enclosed power cable, it will start charging automatically.

Always store it with full battery. Depleted batteries must be recharged immediately; otherwise its performance will suffer.

Battery runtime will decrease time by time. Battery runtime may be slightly shorter than predicted due to different working environments.

Battery capacity can be easily seen on the LED display.

There is a charge indicator. When battery capacity is less than 30%, yellow light will start flashing. When this happens, charge the battery immediately till it is 100% fully charged. Red light will turn on during the whole charging time. Once the battery is fully charged, the indicator will turn on green.

Yellow flashing – power less than 30%, need to charge battery;

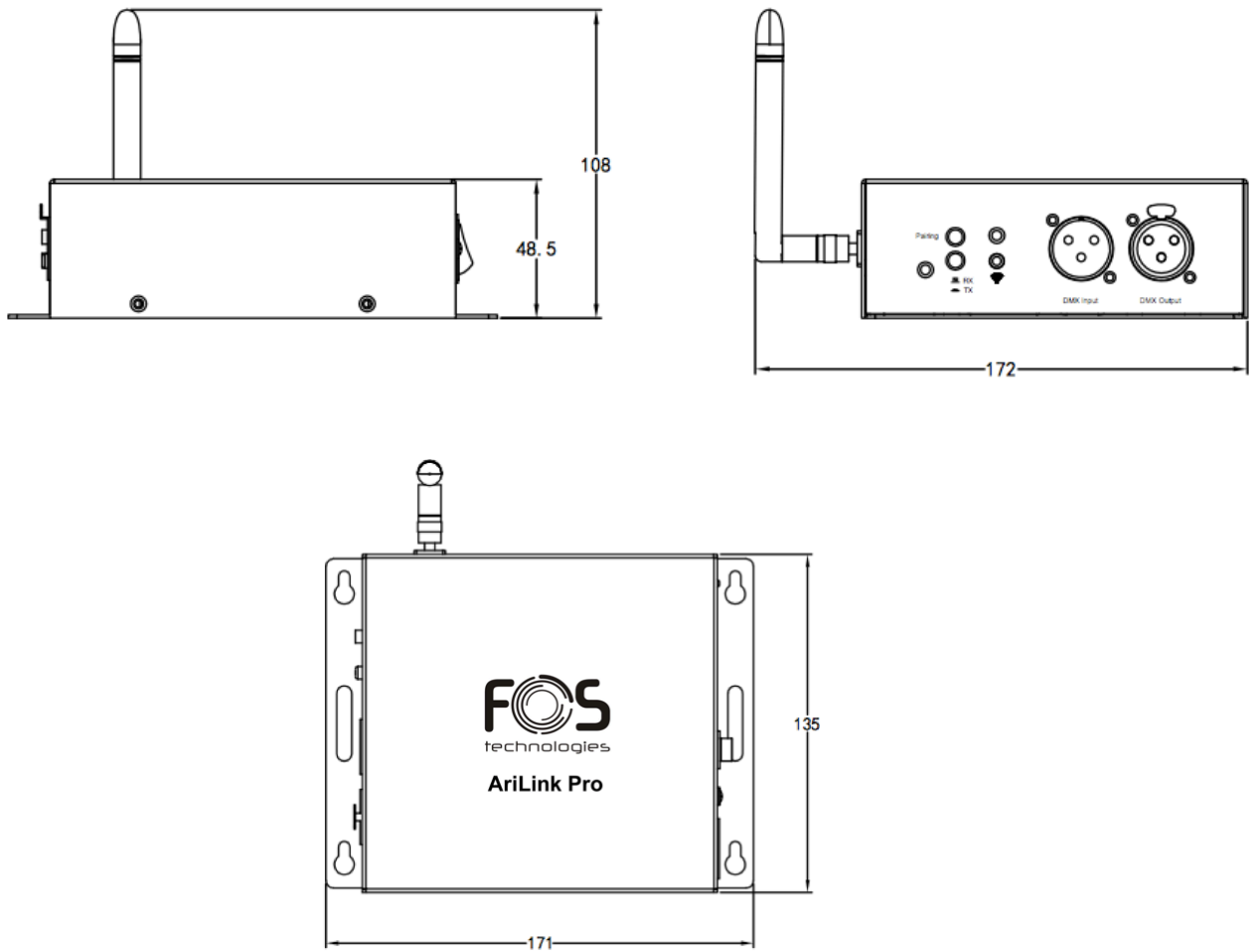
Red – battery being charged;

Green – battery fully charged.

It is recommended to charge AirLink Pro at an ambient temperature between 0°C and 35°C.

Note: The battery must be replaced with an original one from the manufacturer only.

2.2.4 Product Dimensions (mm)



2.3 Specifications

Power input	100~240V AC 50/60Hz
Power consumption	5W max.
Frequency	2.4 GHz ISM band, 58 channels
Working coverage	About 400m (line-of-sign)
Antenna	2dBi
Latency	<5 msec
DMX channel	512 channels
DMX connector	3-pin XLR in/out
Dimensions	171 x 135 x 48.5mm
Net weight	1.0kg

3. OPERATION

3.1 Pairing

If your fixture can be controlled via wireless DMX system, you need first to pair your fixtures to wireless DMX transmitter - AirLink Pro.

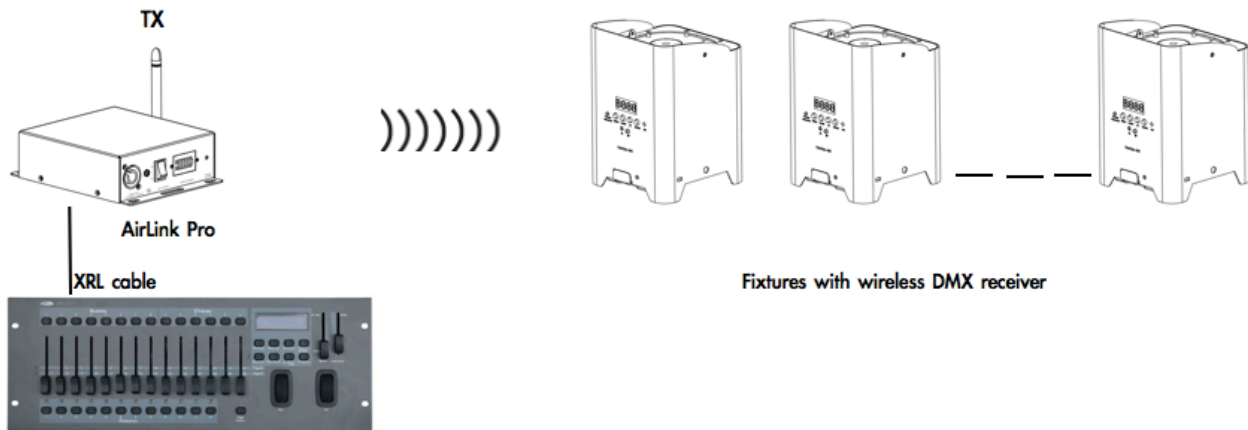
If your fixtures have no function of wireless DMX, you need to use another AirLink Pro. Connect this AirLink Pro to your fixture with XLR cable, set up this AirLink Pro as receiver (RX).

3.1.1 Use AirLink Pro as Transmitter

Switch on the AirLink Pro, set it up as transmitter (TX) by pressing down the green button. Connect AirLink Pro to your lighting desk with XLR cable.

If you are going to control fixtures with wireless DMX receiver, make sure your fixtures are ready to receive wireless DMX signal by either clearing their old wireless DMX memory.

Now press the "Pairing" button on the AirLink Pro. The yellow indicator on the transmitter and your fixtures will start to flash at the same time. After a few seconds the wireless DMX indicators will stay On, this means pairing succeeds. Now you can control your fixtures with your lighting desk.

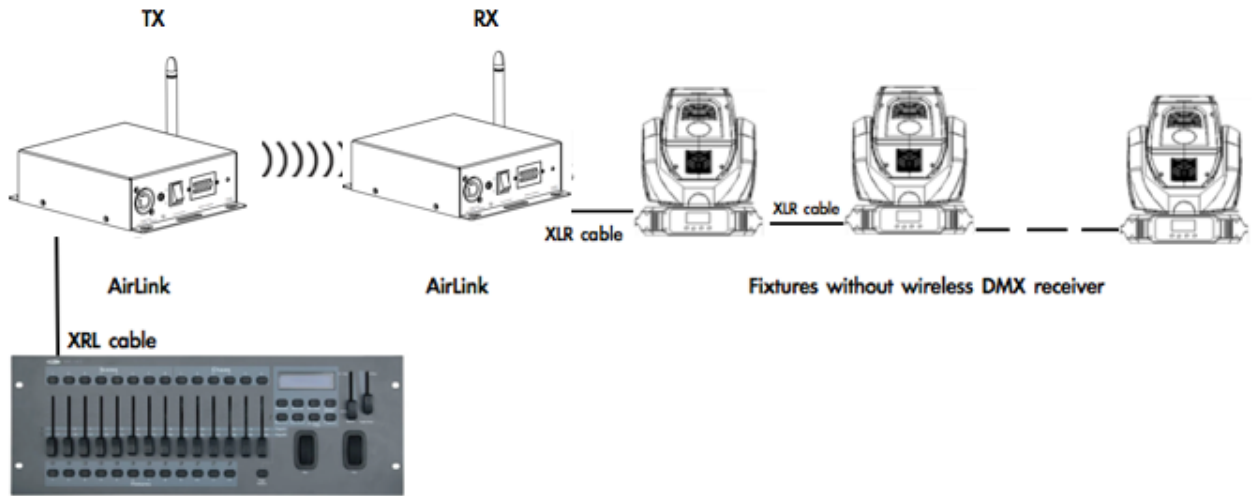


3.1.2 Use AirLink Pro as Transmitter & Receiver

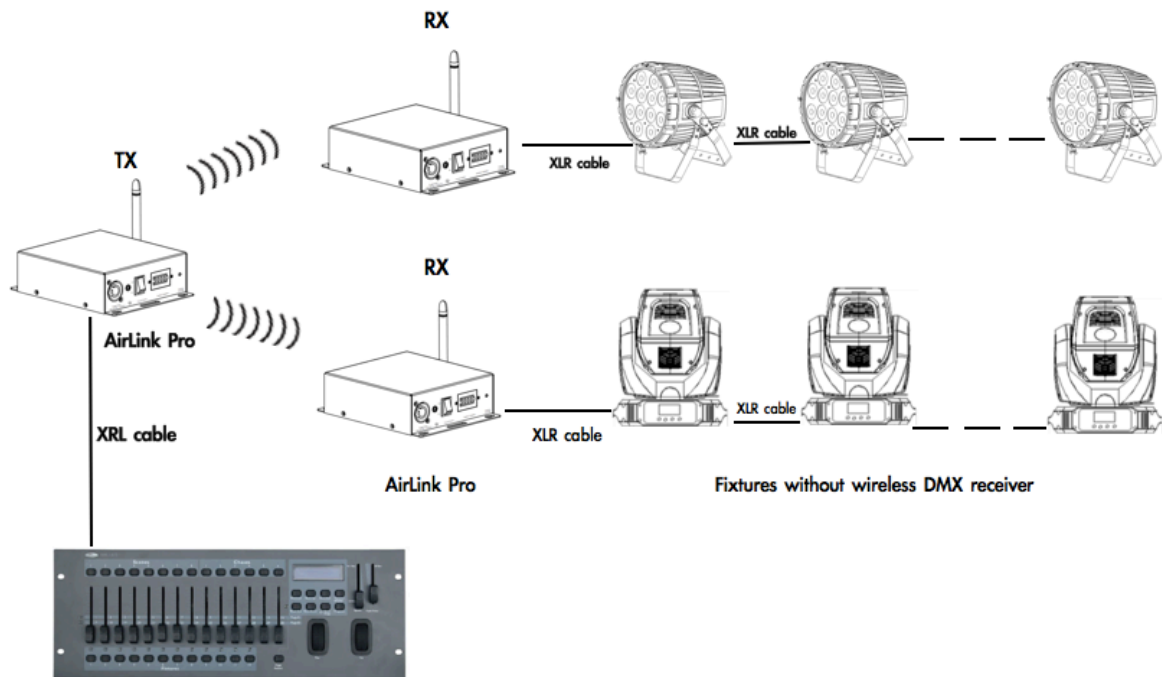
If you are going to control fixtures that have no wireless DMX receiver, you need to use another AirLink Pro, and connect it to the first fixture. Set up this AirLink Pro as receiver by keeping the GREEN button RX. This AirLink Pro can receive wireless DMX from transmitter.

AirLink Pro allows to create point-to-point and point-to-points connection as below:

Point-to-Point:



Point-to-Points



Press the "Pairing" button on the transmitter box, the yellow indicator on the transmitter and receiver box will start to flash at the same time. After a few seconds the wireless DMX indicator will stay On, this means pairing succeeds. Now you can control your fixtures with your lighting desk.

WIRELESS DMX TRANSCEIVER

AirLink Pro

2.4GHz

USER'S MANUAL



FOS Technologies Ltd.

Dealer info:

Copyright reserved

Manual version: Ver. 1.0

Date: 20181009