

USER MANUAL

200W LED Zoom EXTERIOR GOBO PROJECTOR



CE



Version 201912

PLEASE READ OVER THIS MANUAL BEFORE OPERATING THE LIGHT FIXTURE

1. SAFETY INSTRUCTION

The 200W LED exterior gobo projector is designed and manufactured to meet the requirements of People's Republic of China and international safety regulations. Modifications to the product could affect safety and render the product non-compliant to relevant safety standards.

Instructions pertaining to continued protection against fire, electric shock, and injury to persons are found throughout this manual. Please read all instructions prior to assembling, mounting, and operating this equipment.

IMPORTANT

ALWAYS READ THE USER MANUAL BEFORE OPERATION. PLEASE CONFIRM THAT THE POWER SUPPLY STATED ON THE PRODUCT IS THE SAME AS THE MAINS POWER SUPPLY IN YOUR AREA.

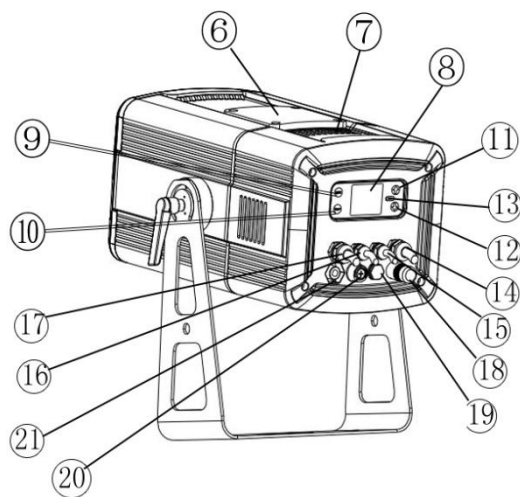
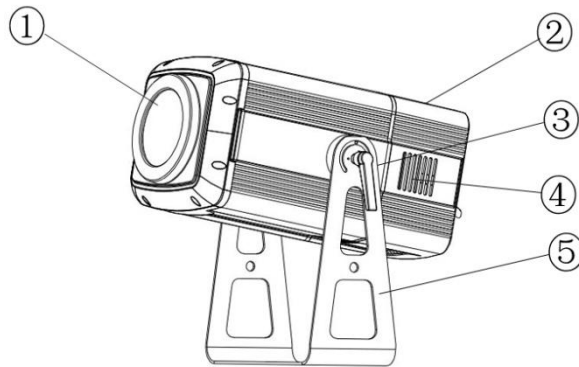
- This product must be installed by a qualified professional.
- Always operate the equipment as described in the user manual.
- A minimum distance of 1m must be maintained between the equipment and combustible surface.
- The product must always be placed in a well ventilated area.
- Always make sure that the equipment is installed securely.
- DO NOT stand close to the equipment and stare directly into the LED light source.
- Always disconnect the power supply before attempting and maintenance.
- Always make sure that the supporting structure is solid and can support the combined weight of the products.

ATTENTION



- This product left the place of manufacturer in perfect condition. In order to maintain this condition and for safe operation, the user must always follow the instructions and safety warnings described in this user manual.
- Avoid shaking or strong impacts to any part of the equipment.
- Make sure that all parts of the equipment are kept clean and free of dust.
- Always make sure that the power connections are connected correct and secure.
- If there is any malfunction of the equipment, contact us immediately.
- When transferring the product, it is advisable to use the original packaging in which the product left the factory.
- Shields, lenses or ultraviolet screens shall be changed if they have become damaged to such an extent that their effectiveness is not conformable.

2. PRODUCT OVERVIEW



- ① Lens
- ② Housing
- ③ Fast lock
- ④ Air Outlet
- ⑤ Base Support / Bracket
- ⑥ Top Access Panel
- ⑦ Air Inlet
- ⑧ LCD Display
- ⑨ ESC-Button
- ⑩ Enter-Button
- ⑪ UP-Button
- ⑫ DOWN-Button
- ⑬ DMX Indicator Light
- ⑭ Power OUT(3 pin)
- ⑮ DMX OUT(3 pin)
- ⑯ DMX IN(3 pin)
- ⑰ Power IN(3 pin)
- ⑱ WirelessReceiver
- ⑲ Vent Valve
- ⑳ FUSE
- ㉑ Ring Interface

3. MAIN FEATURES

- Modularized component for convenient and easy removal
- 7 acceptable customized gobos, simple and fast to change
- 7 dichoric colors with multiple effects
- 30 self-configured auto programs for convenient usage
- 5°- 50°linear motorized zoom
- Advanced cooling design to prevent overheat
- Unique and fashionable outlook
- Light weight and compact design
- Waterproof Rate IP65

4. SPECIFICATION

SOURCE

- Light Source: 200W Color White LED
- Color Temperature: 8000K
- Average LED Life: 20,000 Hour

POWER

- Input Voltage: 100-240VAC, 50/60Hz
- Power Consumption: 250W max. at full output

OPTICAL SYSTEM

- Zoom: 5°- 50° linear motorized
- Focus: Motorized linear focus
- Strobe: 0-20Hz variable speed, synchronization, pulse and random strobe
- Dimmer: 0-100% variable linear dimming curves

COLOR

- 7 Dichoric Colors plus open, Index / Shake / Bi-directional rotating rainbow effect

ROTATION GOBOS

- 7 inter-changeable glass gobos plus open, Shake / Bi-directional rotating rainbow effect

CONTROL / CONNECTION

- DMX Channel: 8CH
- Control Mode: DMX, Auto, Sound, Program
- DMX Input: 3-pin Male plug
- DMX Output: 3-pin Female plug

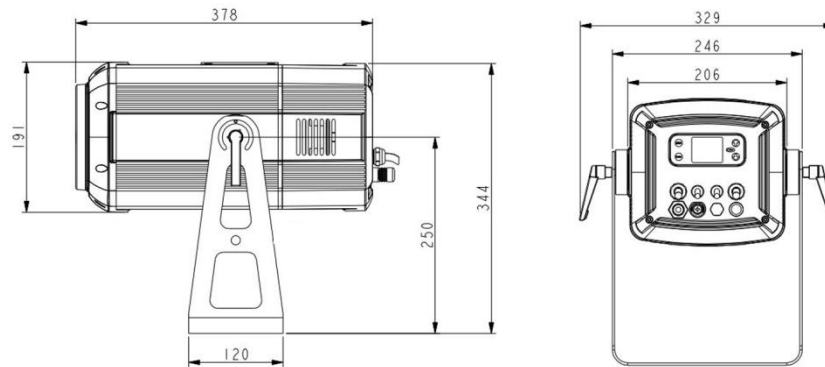
PHYSICAL

- Body Material: Aluminum
- IP Rate: IP65

WEIGHT / DIMENSION

- Net Weight: 11.4kg
- Dimension: 206×378×344mm

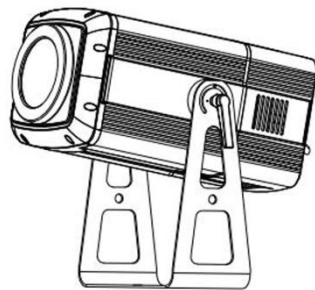
5. DIMENSION (MM)



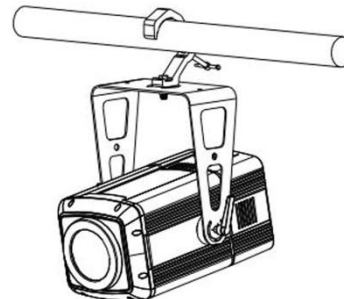
6. MOUNTING AND INSTALLATION

6.1 MOUNTING

- The fixture can be mounted in any position.
- Always ensure that mounting surface can withstand 10 times the weight of the fixture.
- Always use a safety cable when mounting the fixture in any elevated position.



Stand



Hanging

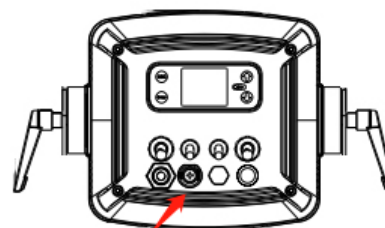
IMPORTANT SAFETY NOTE!!

Always use a safety cable when installing this unit!!

Be sure that the safety cable is connected to a solid load-bearing structure.

6.2 FUSE REPLACEMENT

- Remove the safety cap by a screwdriver.
- Fetch the old fuse from safety cap.
- Install a new fuse.
- Install the safety cap.
- Fuse: 3A



7. REPLACE A ROTATING GOBO

Step1: Open the top access panel by a screwdriver.



Step 2: Take out the old gobo.



Step 3: Insert the new gobo.



Step 4: Cover the top access panel by a screwdriver.



8. DISPLAY PANEL INTRODUCTION

Using the display panel to set the starting DMX address or make other settings. The functions provided are described in the following sections.

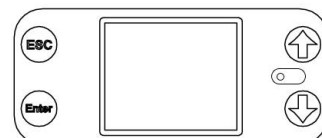
【 ESC 】 Exit from the currently selected menu.

【 Enter 】 Enter the currently selected menu or confirm the current function value.

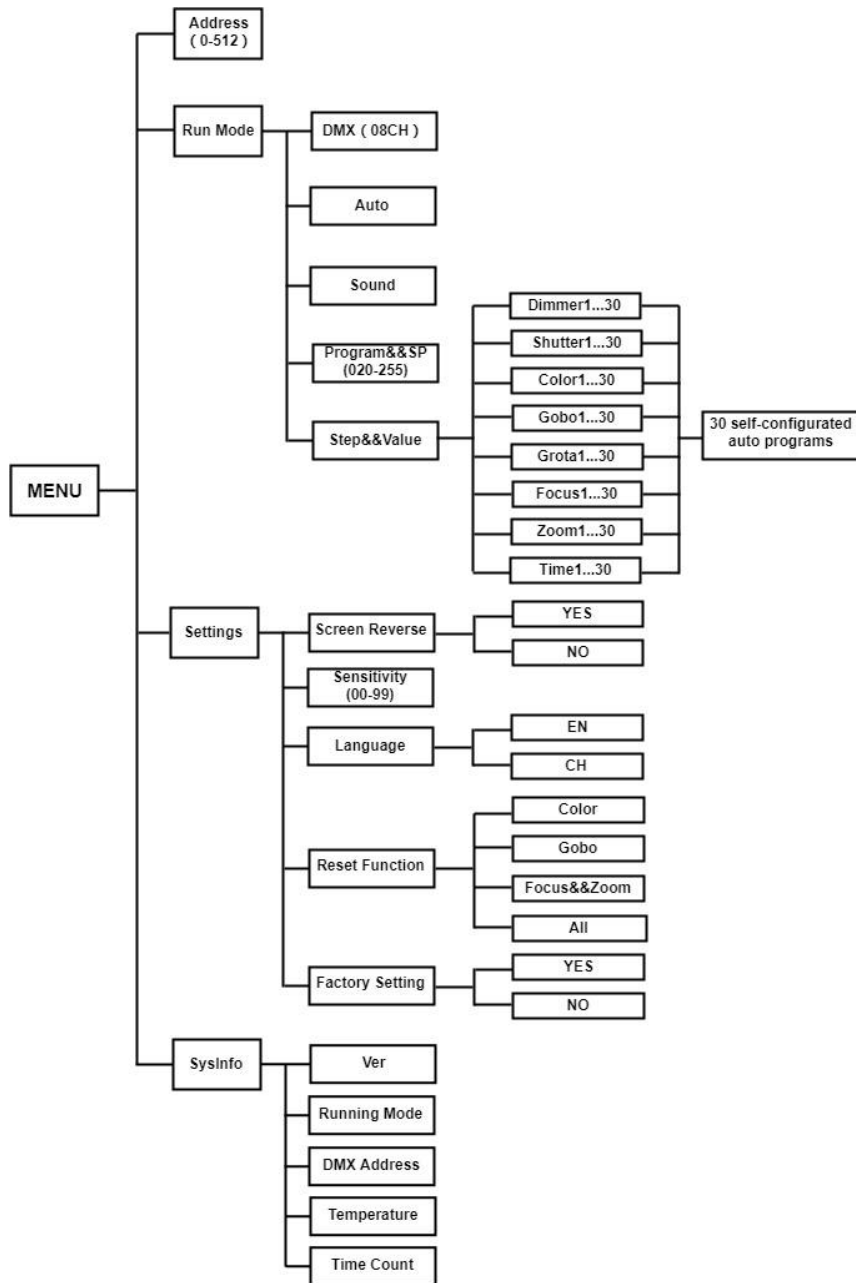
【 UP 】 Scroll “Up” through the menu list or increase the value of the current function.

【 DOWN 】 Scroll “Down” through the menu list or decrease the value of the current function.

【 DMX 】 Green LED indicator light up means DMX signal connected, the indicator extinguished means no DMX signal.



The classes of each menu are listed in the diagram as below:



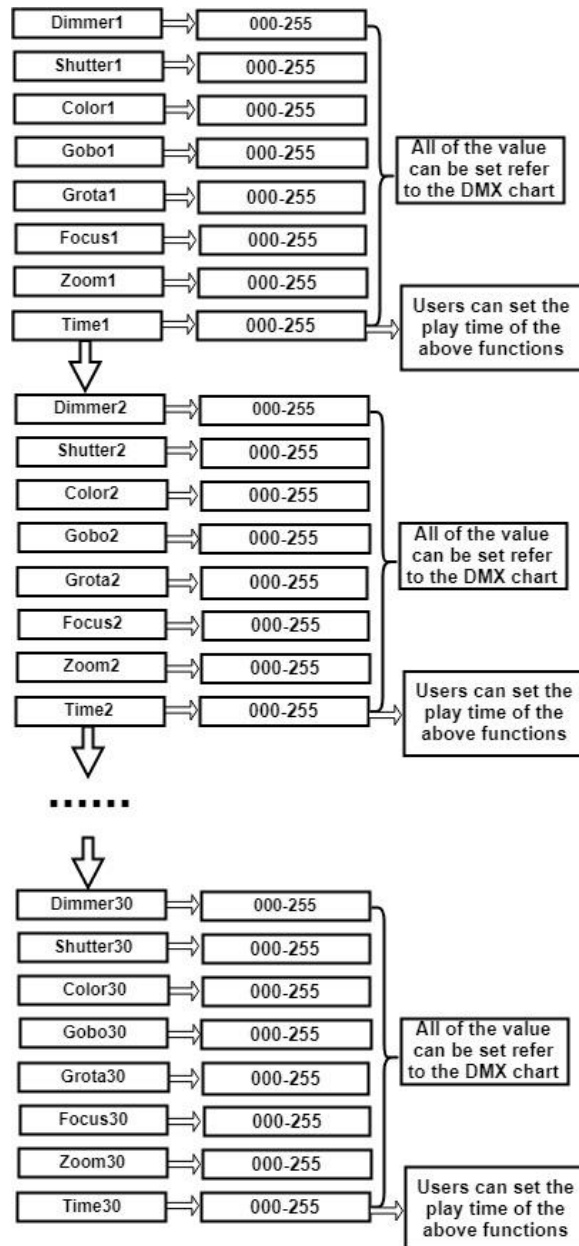
9. DMX CHANNEL ASSIGNMENTS

This fixture has 8 DMX channel as below:

CH	Function	DMX	Details
1	Dimming	0-255	Linear dimmer from dark to bright
2	Strobe	0-3	Light off
		4-7	Light up
		8-76	Strobe with the same step from slow to fast
		77-145	Strobe with pulse from slow to fast
		146-215	Strobe with random from slow to fast
		216-255	Light up
3	Color Wheel	0-7	Open
		8-15	Color 1
		16-23	Color 2
		24-31	Color 3
		32-39	Color 4
		40-47	Color 5
		48-55	Color 6
		56-63	Color 7
		64-189	Color Index, Manual
		190-220	Forward-directional rainbow effect, from fast to slow
		221-224	Stop
		225-255	Reversed-directional rainbow effect, from slow to fast
		4	Gobo Wheel
8-15	Gobo 1		
16-23	Gobo 2		
24-31	Gobo 3		
32-39	Gobo 4		
40-47	Gobo 5		
48-55	Gobo 6		
56-63	Gobo 7		
64-71	Gobo 7 shake, from slow to fast		
72-79	Gobo 6 shake, from slow to fast		
80-87	Gobo 5 shake, from slow to fast		
88-95	Gobo 4 shake, from slow to fast		
96-103	Gobo 3 shake, from slow to fast		
104-111	Gobo 2 shake, from slow to fast		
112-119	Gobo 1 shake, from slow to fast		
120-127	Open		
128-189	Forward-directional rainbow effect, from slow to fast		
190-193	Stop		
194-255	Reversed-directional rainbow effect, from slow to fast		
5	Gobo Rotation	0-63	Gobo rotation orientation
		64-145	Forward-directional rotation, from fast to slow
		146-149	Stop
		150-231	Reversed-directional rotation, from slow to fast
		232-255	Gobo Rotation, Forward-directional and Reversed-directional rainbow effect
6	Focus	0-255	From far to near
7	Zoom	0-255	From small to big
8	Function Channels	0-7	No function
		8-15	No function
		16-23	No function
		24-31	No function
		32-39	No function
		40-47	No function
		48-55	No function
		56-87	No function
		88-95	No function
		96-111	All channels reset
		112-119	No function
		120-127	No function
		128-135	No function
		136-143	No function
		144-151	No function
		152-159	No function
		160-167	No function
168-175	No function		
176-255	No function		

10. HOW TO CONFIGURE AUTO PROGRAM

According to different application requirement, users can configure auto program freely via setting the function value on the LCD display. Users can go into the menu “Run Mode->Step&&Value” to set the value of each DMX function. Once the configuration is finished, the configured auto program will be stored, and users can go into the menu “Run Mode->Auto Program” to play. The interface is below once users click to “Step&&Value”:



11. CLEANING

In order to make the fixture in good condition and extend the life time, we suggest a regular cleaning to the fixture.

- Clean the inside and outside lens each week to avoid the weaknesses of the fixture due to accumulation of the dust.
- Clean the fan each week.
- A detailed electric check by approved electrical engineer each three month, make sure that the circuit contacts are in good condition, prevent the poor contact of circuit from overheating.

We recommend a frequent cleaning of the device. Please use a moist, lint-free cloth. Never use alcohol or solvents. There are no serviceable parts inside the device. Should you need any spare parts, please order genuine parts from us.

