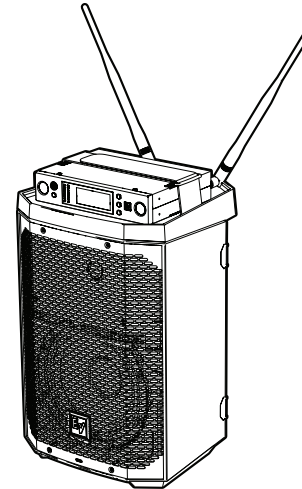


EVERSE8 Accessory tray, 12V DC



- Mounting tray with a secure mounting surface for wireless microphone receivers like Electro-Voice RE3 or R300, and other equipment such as tablets or smartphones.
- DC power cable included to power your RE3 or R300 receiver with the EVERSE8's battery.
- Available in black and white.



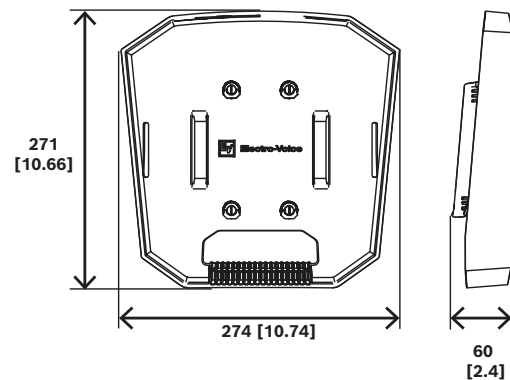
Parts included

Quantity	Component
1	Tray mounting base
1	Tray
1	Hook and loop strap
1	DC power cable

Technical specifications

Material	Polypropylene
Color	Black or white
Cable length (mm)	500 mm
Cable length (in)	19.7 mm
Cable color	Black
Connector OD (mm)	5.5 mm
Connector ID (mm)	2.5 mm
Connector length (mm)	11 mm
Weight (kg)	0.4930 kg
Weight (lb)	1 lb
Shipping weight (kg)	0.81 kg
Shipping weight (lb)	1.80 lb
Dimension (H x W x D) (mm)	310 mm x 330 mm x 88 mm
Dimension (H x W x D) (in)	12.2 in. x 13 in. x 3.5 in.

Dimensions



mm [in]

Ordering information

EVERSE8-TRAY-B Tray for EVERSE 8, 12V DC cable black
Wireless microphone tray

Order number **EVERSE8-TRAY-B | F.01U.399.470**

EVERSE8-TRAY-W Tray for EVERSE 8, 12V DC cable white
Wireless microphone tray

Order number **EVERSE8-TRAY-W | F.01U.399.471**

Represented by:

Germany:
Bosch Sicherheitssysteme GmbH
Robert-Bosch-Ring 5
85630 Grasbrunn
Germany
www.electrovoice.com

Bosch Security Systems, LLC
12000 Portland Avenue South
Burnsville MN 55337
USA