



# PreSonus® AIR15s

Active Sound-Reinforced Subwoofer

## Key Features

- 1,200W Active PA Subwoofer with 15" Low-frequency Driver
- Onboard mixer with 2 XLR/TRS combo inputs and stereo 1/8" input
- Variable lowpass filter dials in your upper frequency limit from sub-bass to full-range
- Convenient DSP presets enable extended low end for ground-stacked or endfire subwoofer arrays
- Up to 12m of delay for proper alignment in 3-way system applications

## Applications

- Mobile sound reinforcement
- Permanent installation
- Sound reinforcement for small- to mid-sized venues

## Powerful, clear, accurate low-end performance.

Designed to complement any full-range PA loudspeaker and a perfect companion for the PreSonus® AIR-series full-range loudspeakers, the AIR15s subwoofer delivers a powerful, clear, and accurate low-end punch. With its 15-inch low-frequency transducer, driven by 1,200 watts (dynamic) of Class D power, it provides plenty of detailed bottom end—down to 35 Hz. And its compact form factor make it equally well suited for mobile and installed applications.

## Equally at home in mobile and installed systems.

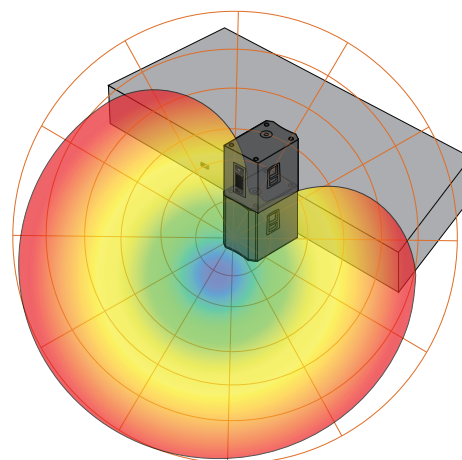
Although it has a rugged, tour-grade birch enclosure, the PreSonus AIR15s is much more compact and lightweight than you'd expect from a subwoofer that can deliver this much power. With integrated provisions for the included castor kit, ground-stacking provisions, and ergonomic handles on both sides, it's easy to transport for mobile applications, while offering the features and performance needed for demanding installs. The AIR15s sports two combo XLR and 1/4" TRS line-level inputs with level control, and throughputs are provided to connect full-range systems or multiple subwoofers in larger systems. You can even defeat the front power-indicator LED for low-visibility installs.

## The perfect companion.

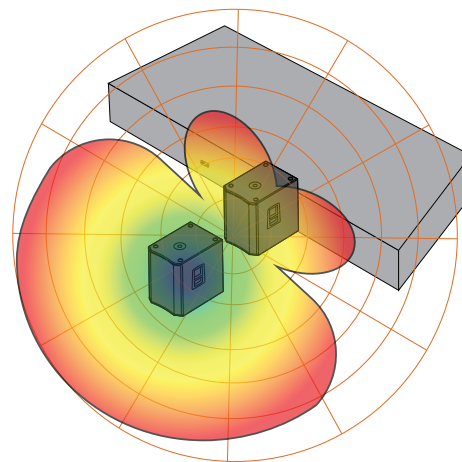
AIR15s subwoofers can be used with virtually any full-range loudspeaker thanks to an onboard variable lowpass filter that allows you to dial in the best crossover point for your system. Optimized settings are provided for the AIR10, AIR12, and AIR15 full-range loudspeakers. Whichever full-range speaker you choose, aligning the subwoofer to its full-range companion will yield tighter bass response. AIR15s subwoofers make it easy, with a variable alignment delay that properly aligns your three-way system, whether the full-range loudspeaker is placed atop the subwoofer, using the sub pole, or is placed a few feet away.

## Easily create subwoofer arrays.

The AIR15s subwoofer provides the tools you need to create both cardioid and endfire arrays with ease to keep excess energy off the stage and in the audience where it is needed.



Creating a cardioid subwoofer array forms a more direct radiation pattern and the AIR15s simplifies this with an onboard DSP preset: Just stack two AIR15s subwoofers, with the top subwoofer facing away from the audience and toward the stage, and then set the top subwoofer to use its Cardioid DSP preset. Your two AIR-series subwoofers will then radiate in a directional cardioid pattern, allowing greater steering control over low-frequency energy.



Alternatively, you may prefer to create an end-fire array for even more off-axis rejection. Simply place two AIR15s subwoofers one in front of the other facing the direction to which you want to steer your sub energy and enable the Endfire preset on the rear AIR15s. Need to make a larger subwoofer array? AIR subwoofers are equipped with a variable delay and polarity invert so you can easily build more complex systems.

## Now hear this.

With flexible connectivity; a rugged, tour-grade enclosure; and plenty of Class D power, the AIR15s delivers the versatility and punch needed for permanent installs. Yet it's relatively lightweight and portable, making it an excellent choice for mobile use. Although designed to complement AIR-series full-range loudspeakers, the AIR15s is also an excellent companion for third-party loudspeakers. Most important, it sounds great, delivering outstanding low-end clarity and natural music reproduction.

## Application and Deployment

The AIR15s is equipped with a screw-lock pole cup to support a top-mounted full-range enclosure for ground-stacked applications. When with full-range AIR-series loudspeakers, PreSonus supports a maximum subpole height of 31 inches. Other configurations have not been tilt-tested for safety and should be managed with caution.

Groundstack provisions allow additional stability for cardioid arrays and standard double stacking.

The AIR15s cannot be suspended.

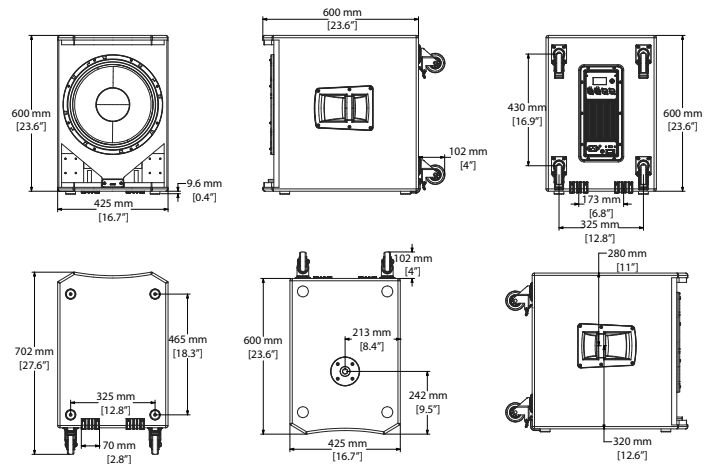
## Optional Accessories (Sold Separately)

The following optional accessories are available:

**ARI15s-Cover Protective Soft Cover.** This protective soft cover is custom-fitted for the AIR15s. Tough, rip-resistant material protects loudspeaker cabinets during transportation. A cutout allows access to the handles.

**Custom Subpole (SP1BK).** Use the custom, threaded pole to mount an AIR-series full-range loudspeaker over an AIR15s subwoofer. Pole lengths have been measured and tested for system stability.

## Technical Specifications



Type	Active Subwoofer
LF Driver	15" (3" Voice Coil)
Amplifier Type	Class D
Total System Power	1200W Peak (600W RMS)
Frequency Range	35 Hz – 160 kHz Variable (+/- 3 dB)
Maximum Peak SPL	126 dB
Inputs	2 Line (combo)
Outputs	2 Direct Line Out (XLR)
DSP Features	LCD screen with EQ and multiple presets
Enclosure	15 mm plywood
Mounting	Ground stack provisions
Handles	2 (Side)
Dimensions (H x W x D)	24" x 16.7" x 23.9" (612 mm x 425 mm x 606 mm)
Weight	70.5 lbs (32 kg)
Power Input	115V / 230V ~50/60 switchable
Maximum Current	3.5A (230V-50 Hz), 7A (120V)

