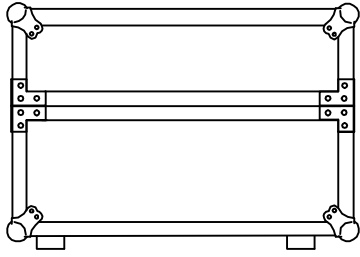
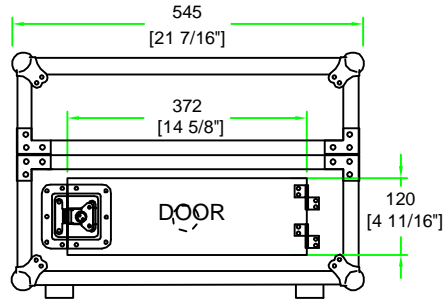


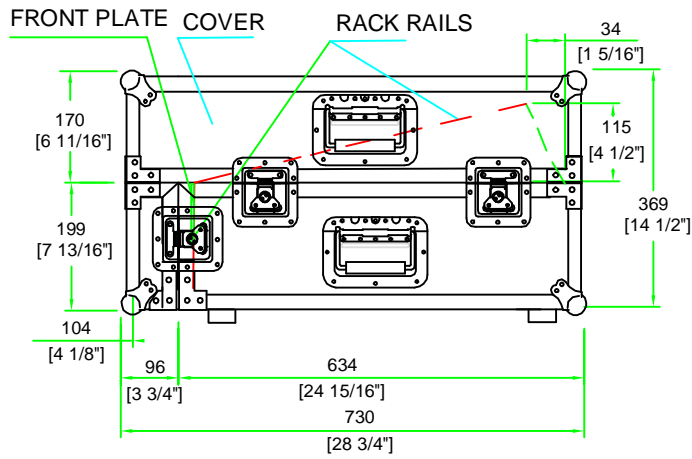
# RR12M2U



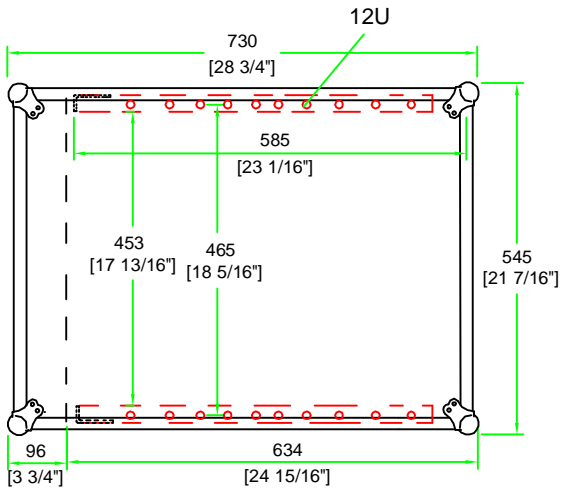
FRONT VIEW



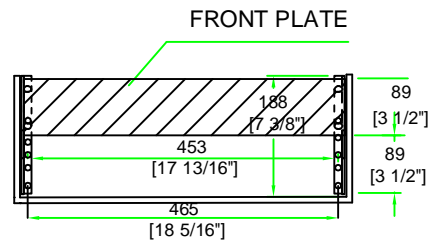
BACK VIEW



SIDE VIEW



TOP VIEW



INSIDE VIEW

\_\_\_\_\_  
Signature of Approval

\_\_\_\_\_  
Printed Name