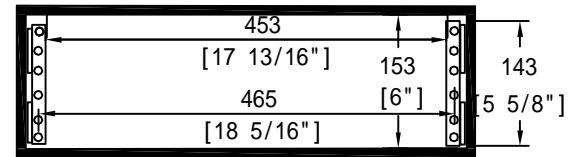
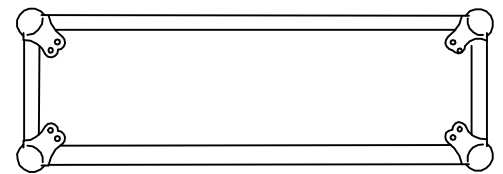
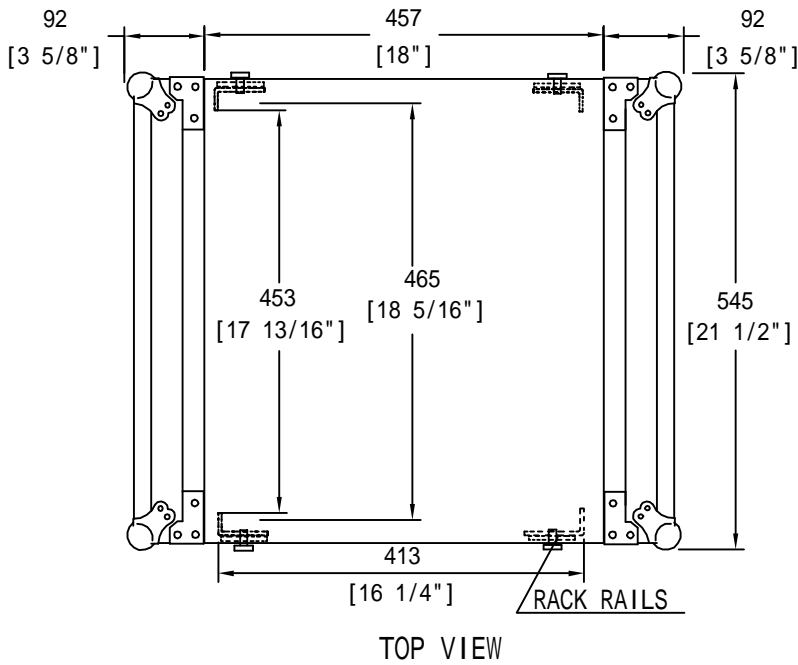
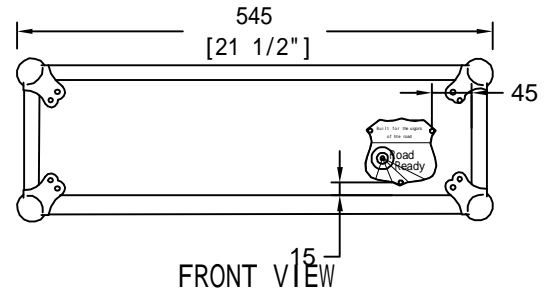
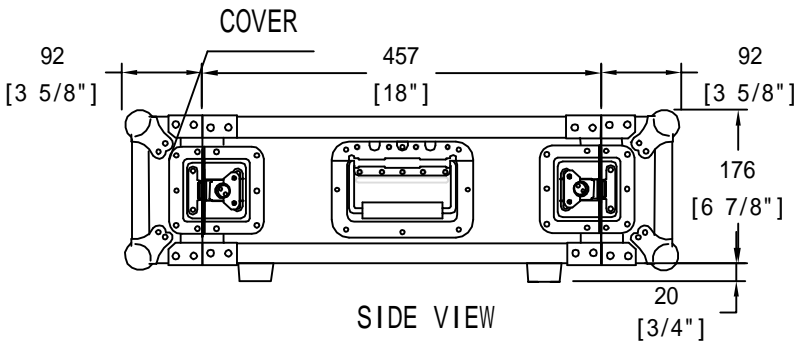


# RR3UAD




---

Signature of Approval

---

Printed Name

2009-3-13