



Rugged Road Ready Features

- * Beefy, Stackable Ball Corners
- * Double Anchor Industrial Rivets
- * Recessed, Industrial Grade Latches
- * Recessed, Spring Loaded Handles
- * Industrial Grade Rubber Feet
- * Premium 3/8" Vinyl Laminated Plywood
- * Tongue and Groove Locking Fit
- * Heavy Duty Rack Rails
- * Hinged Rear Door
- * Mounting Hardware Included
- * ATA 300 Rating
- * Road Ready Limited Lifetime Warranty

Product Dimensions

Shipping Dimensions (inch): 24.4 x 21.8 x 23.2

Shipping Weight (lbs): 45.1

Product Dimensions (inch): 23.8 x 21.3 x 22.3

Product Weight (lbs): 43.3

Shipping Dimensions (cm): 62 x 55.5 x 59

Shipping Weight (kg): 20.5

Product Dimensions (cm): 60.5 x 54.2 x 56.7

Product Weight (kg): 19.7

RRM6U

10U SLANT MIXER RACK 6U VERTICAL RACK SYSTEM



Good construction doesn't go out of style. That's our MO and that's why we create cases that are done right. Designed with a 10U slanted top rack for convenient mixer/CD controller placement and a 6U vertical rack for amp or effect units, the RRM6U is built right. The RRM6U features an 18" mountable rack depth and 2 heavy-duty removable covers. To make a good thing even better we added a unique removable, rear hinged door for easy access to your gear. At last, connections without a hassle.

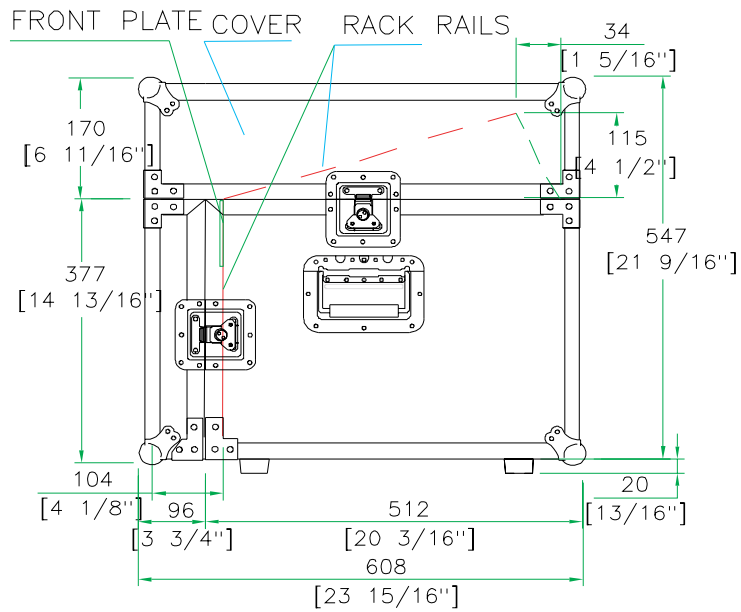
Road Ready Cases

1226 Corral Place * Santa Fe Springs, CA 90670

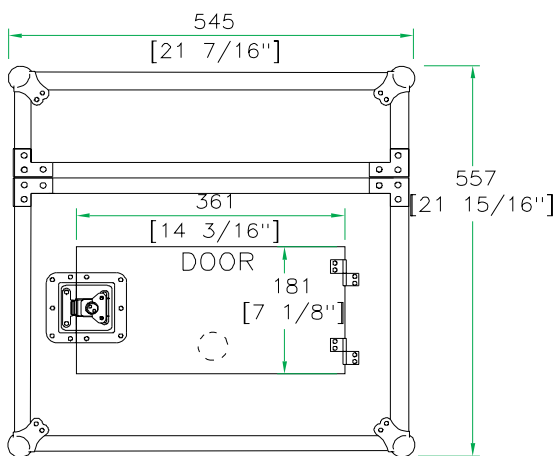
ph: 562.906.6185 * fax: 562.906.6186

WWW.ROADREADYCASES.COM

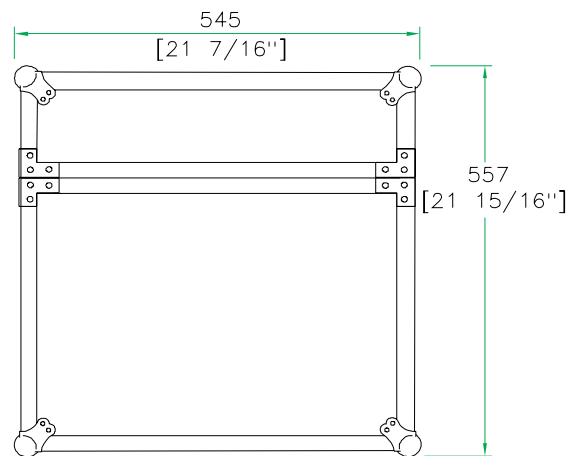
RRM6U



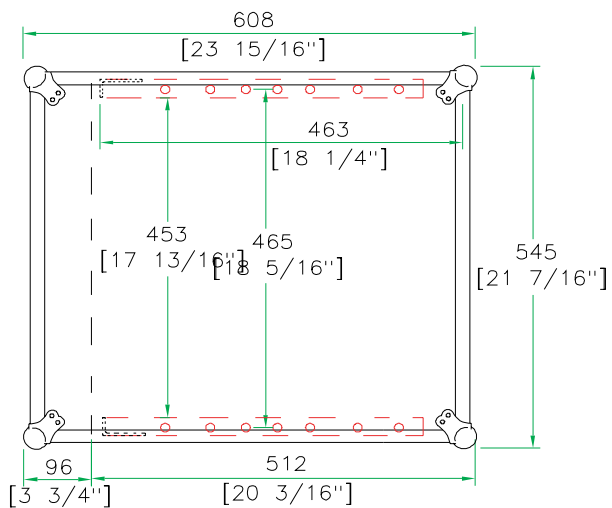
SIDE VIEW



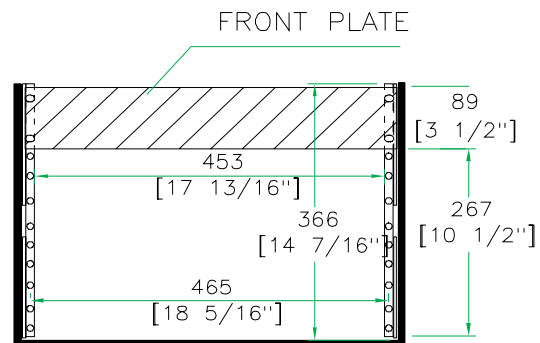
BACK VIEW



FRONT VIEW



TOP VIEW



INSIDE VIEW