

SUB 905-AS MK3

PROFESSIONAL POWERED 15" SUBWOOFER

DESCRIPTION

The SUB 905-AS MK3 is a self-powered extended low-frequency subwoofer with internal DSP. Its compact cabinet houses a state-of-the-art 15" transducer featuring ceramic magnets and a 3.0" voice coil. The internal amplifier manages up to 2200W power output, delivering sound pressure levels up to 133 dB. Proprietary Bass Motion Control processing provides extended linearity and remarkable sound integrity. Rear panel controls include presets, crossover frequency, and polarity selection, cardioid, and output delay settings. The tour-ready, rugged all-wood cabinet with scratch-resistant polyurea coating is stackable and lightweight, ensuring quick set-ups and tear-downs. Built specifically for highly demanding applications, SUB 905-AS MK3 is the perfect workhorse for music professionals.

FEATURES

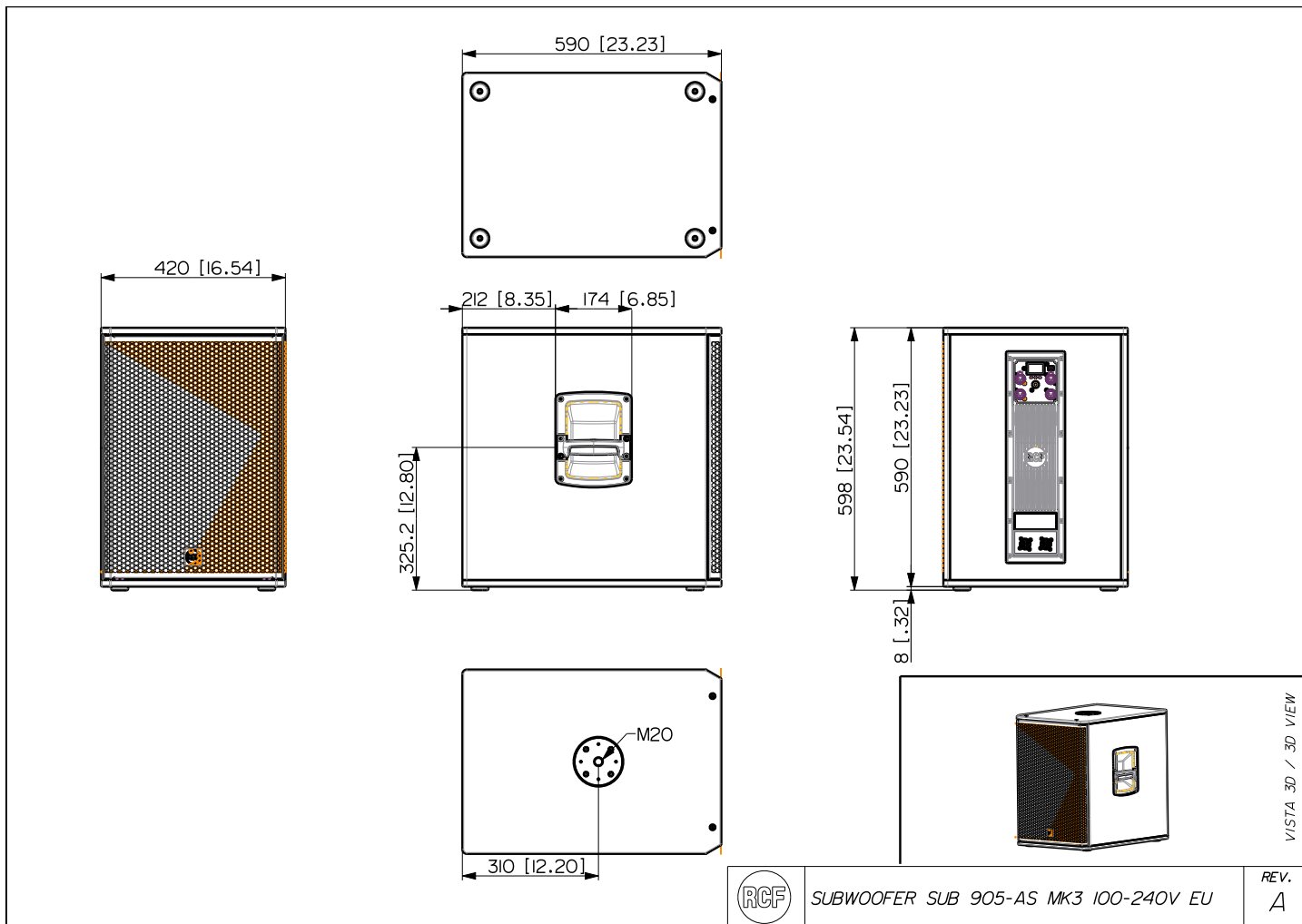
- 2200 W
- 133 dB max SPL
- 40 Hz - 120 Hz frequency response
- 15" Woofer, 3.0" v.c.
- Birch tour grade cabinet
- Selectable gain, X-over, cardioid mode and time delay
- Stereo XLR input, Stereo XLR signal output

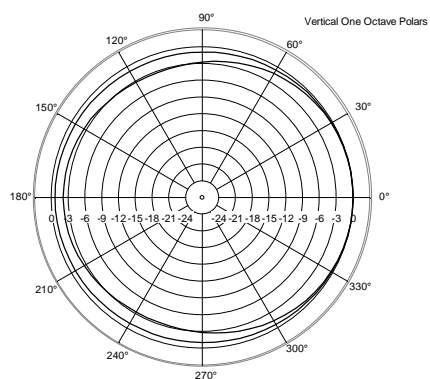
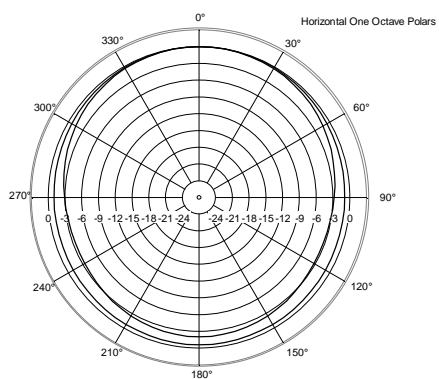
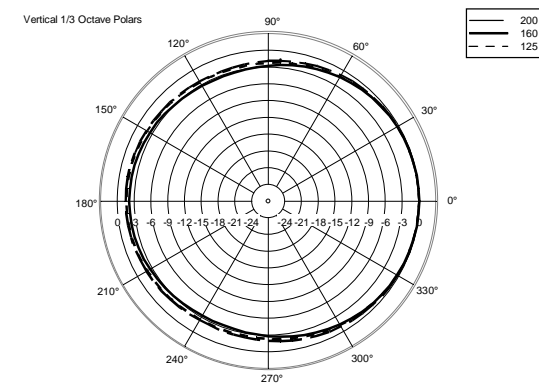
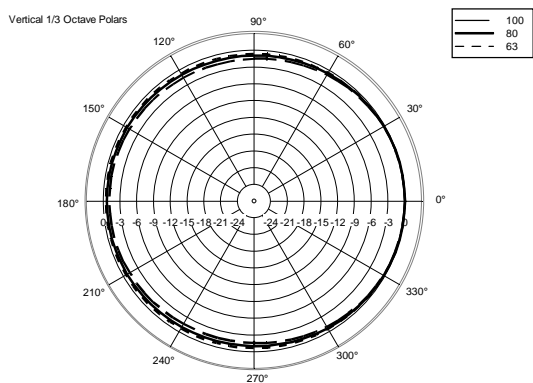
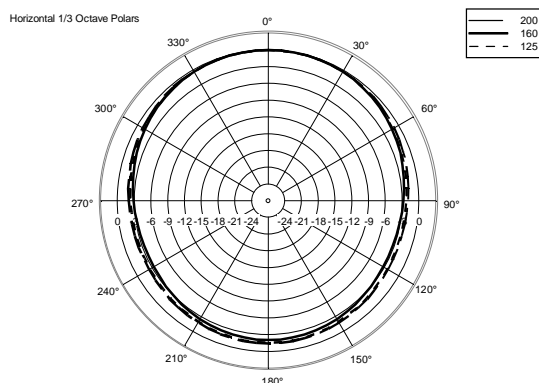
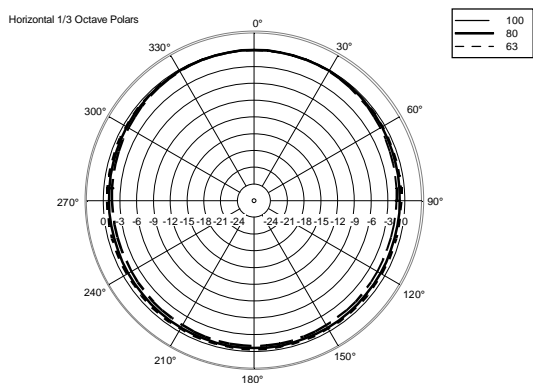
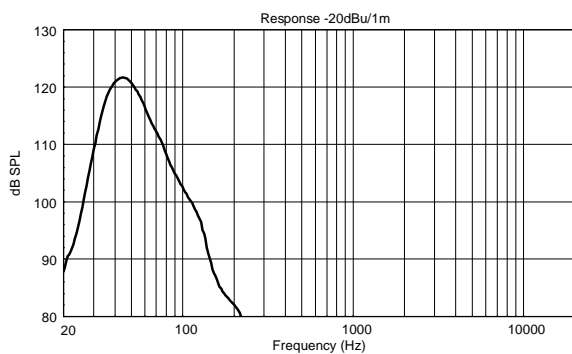
TECHNICAL SPECIFICATIONS

Acoustical specifications	Frequency Response:	40 Hz ÷ 120 Hz
	Max SPL @ 1m:	133 dB
Transducers	Woofers:	15", 3.0" v.c
Input/Output section	Input connectors:	XRL Stereo
	Output connectors:	XRL Stereo
	Input sensitivity:	-2 dBu/+4 dBu
Processor section	Crossover Frequencies:	Selectable
	Protections:	Thermal, RMS
	Limiter:	Soft Limiter
	Controls:	Gain, EQ, phase, xover, delay, cardioid
Power section	Total Power:	2200 W Peak, 1100 W RMS
	Low frequencies:	2200 W Peak, 1100 W RMS
	Cooling:	Convection
	Connections:	Powercon IN/OUT
Standard compliance	Safety agency:	CE compliant
Physical specifications	Cabinet/Case Material:	Plywood
	Handles:	One handle each side
	Pole mount/Cap:	Yes
	Grille:	Steel with clothing
	Color:	Black
Size	Height:	590 mm / 23.23 inches
	Width:	420 mm / 16.54 inches
	Depth:	590 mm / 23.23 inches
	Weight:	26 kg / 57.32 lbs
Shipping information	Package Height:	640 mm / 25.2 inches
	Package Width:	650 mm / 25.59 inches
	Package Depth:	480 mm / 18.9 inches
	Package Weight:	30 kg / 66.14 lbs

PART NUMBER

- **13000847**
SUB 905-AS MK3
100-240V, US
EAN 8024530021351
- **13000846**
SUB 905-AS MK3
100-240V, EU
EAN 8024530021146







ACCESSORIES

COVER CVR 004

PART NUMBER **13360529**
EAN: 8024530020415



POLE MOUNT KIT PM-KIT M20

PART NUMBER **13360067**
EAN: 8024530014599
