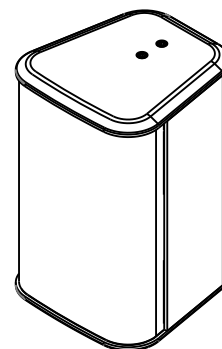


Presentation:

The Installation series speakers is the right choice to anyone that wants to install loudspeakers into a wall or into a ceiling matching the high quality sound requirements for modern indoor spaces. Extremely compact, accurate and good looking the 2-way speakers can also be complemented with a number of MOOSE subwoofer systems. This I6 incorporates high quality EU transducer combined with an extremely high sensitivity and lower distortion Kapton 1" driver for outstanding detail and clarity in high frequencies without harshness.

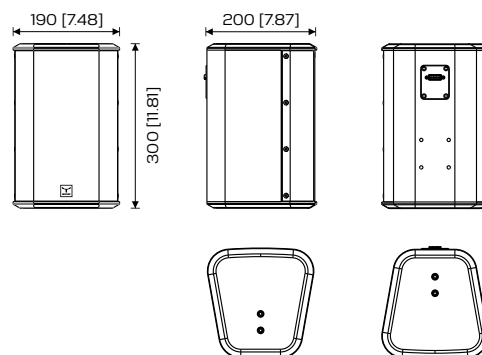
All speakers feature an internal passive crossover designed to deliver neutral and natural sound and a line transformer can be installed (optional). The I6 speaker features Euroblock terminal parallel-connected for an easy and flexible installation regardless the surroundings.

This I6 is prepared to be wall mounted having two types of mounting brackets available, one for vertical (portable) and another for horizontal installation (permanent) depending on the application and location. The I series range is available matched to any RAL colour suited for a variety of venues including restaurants, bars, clubs, retail shops, exhibition centers, fitness centers, conference rooms ensuring maximum speech intelligibility, precise band coverage and ease of installation thanks to the flexible mounting hardware solutions, wall and "U" brackets.



Features:

- 2-way passive installation speakers
- Elegant, refined and lightness design
- 6" (1.26in) FR EU transducer
- High sensitivity 1" HF Kapton driver
- Euroblock terminal
- Optional line transformer, 100V - 8ohm / 15W / 30W power taps
- Prepared for wall/ceiling mounting, 4x M6 inserts
- 4x M5 inserts for Wall mount support adjustable in 2 axes (optional)
- Rugged and durable 12mm birch plywood



Dimensions in mm [in]

Technical specifications:

Acoustical

Type	2-way passive installation speaker
Enclosure design	Bass reflex, trapezoidal
Power rating (RMS/Program)	140W / 280W
Frequency range	80 - 18kHz
Nominal impedance	8 ohm
Transducer type	6" FR (1.26in) EU transducer 1" HF (1.00in) Kapton EU transducer
Dispersion	80° conical, aluminum horn
Crossover frequency	2200Hz
SPL (1W/1kHz)	116dB @ 1m
Connector	Euroblock speaker terminal I6T: 100V line transformer, 8ohm / 15W / 30W power taps

Mechanical

Enclosure	12mm birch plywood, rugged polyurea coating
Grille	Custom perforated metal grilles w/ acoustic foam
Color	Black or white textured
Hardware	4x M6 inserts for "U" bracket (supplied) 4x M5 inserts for wall mount/ceiling support, 2-axes (optional)
Dimensions	190x200x300mm 7.48x7.87x11.81in
Weight	6.0Kg 13.22lb

