

22	140..159	Internal program 3
	160..179	Internal program 4
	180..199	Internal program 5
	200..219	Internal program 6
	220..239	Internal program 7
	240..255	Internal Sound program 1

10. Maintenance and cleaning

It is absolutely essential that the fixture is kept clean and that dust, dirt and smoke-fluid residues must not build up on or within the fixture. Otherwise, the fixture's light-output will be significantly reduced. Regular cleaning will not only ensure the maximum light-output, but will also allow the fixture to function reliably throughout its life. A soft lint-free cloth moistened with any good glass cleaning fluid is recommended, under no circumstances should alcohol or solvents be used!

DANGER !
Disconnect from the mains before starting any maintenance work

The front objective lens will require weekly cleaning as smoke-fluid tends to building up residues, reducing the light-output very quickly. The cooling-fans should be cleaned monthly.

The interior of the fixture should be cleaned at least annually using a vacuum-cleaner or an air-jet. Dichroic colour filters, CMY lamellas, gobo and graphic wheels and the internal lenses should be cleaned monthly. Remove dust and dirt from the fans and cooling vents using a soft brush and vacuum-cleaner.

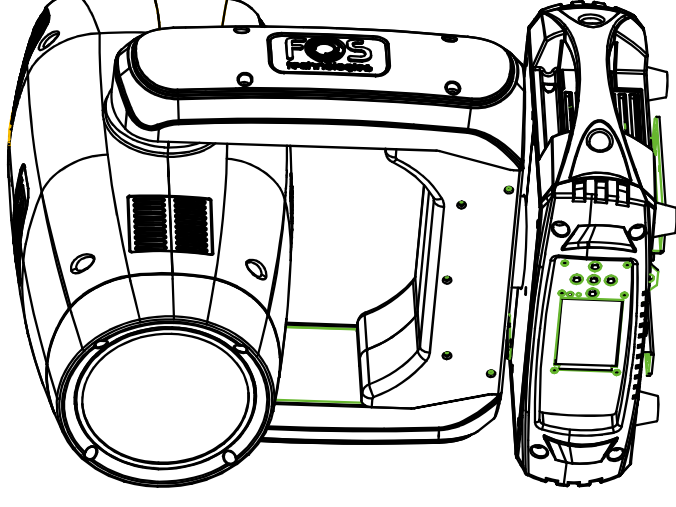
Important! Check the air filters periodically and clean before they become clogged!

Clean two air filters placed in the fixture's covers and two in the fixture base. Use a vacuum cleaner, compressed air or you can wash them and put back dry.

After replacing the air filters, reset the elapsed time counter in the menu "Information" (Information--->Air Filters--->Elapsed Time).

Replacing the fuse. Before replacing the fuse, unplug mains lead.

- 1) Remove the fuse holder on the rear panel of the base with a fitting screwdriver from the housing (anti-clockwise).
- 2) Remove the old fuse from the fuse holder.
- 3) Install the new fuse in the fuse holder (only the same type and rating).
- 4) Replace the fuseholder in the housing and fix it.



- Be sure to read the USER MANUAL carefully before using this product.
- Be sure to keep the USER MANUAL properly for future needs.
- Use this product correctly when you can fully understand the User Manual

1. Safety instructions

Thank you for choosing our FOS NOX . FOR YOUR OWN SAFETY, PLEASE READ THIS USER MANUAL CAREFULLY
BEFORE YOU INITIAL START - UP!

CAUTION!
 Be careful with your operations.
 With a high voltage you can suffer a dangerous electric shock when touching the wires!

This device has left our premises in absolutely perfect condition. In order to maintain this condition and to ensure a safe operation, it is absolutely necessary for the user to follow the safety instructions and warning notes written in this manual.

CAUTION!
 Keep this device away from rain and moisture!
 Unplug mains lead before opening the housing!

Important:

The manufacturer will not accept liability for any resulting damages caused by the non-observance of this manual or any unauthorized modification to the device.

Please consider that damages caused by manual modifications to the device are not subject to warranty.

During the operation the housing becomes hot). Allow the fixture to cool approximately 20 minutes prior to manipulate with it.

Make sure that the available voltage is not higher than stated on the rear panel.

WARNING! This unit does not contain an ON/OFF switch. Always disconnect power input cable to completely remove power from unit when not in use or before cleaning or servicing the fixture.

Make sure that the power-cord is never crimped or damaged by sharp edges. Check the device and the power-cord from time to time.

Always disconnect from the mains, when the device is not in use or before cleaning it. Only handle the power-cord by the plug. Never pull out the plug by tugging the power cord.

This device falls under protection class I. Therefore it is essential to connect the yellow/green conductor to earth.

The electric connection, repairs and servicing must be carried out by a qualified employee.

Do not connect this device to a dimmer pack.

Do not switch the fixture on and off in short intervals as this would reduce the lamp's life.

During the initial start-up some smoke or smell may arise. This is a normal process and does not necessarily mean that the device is defective.

Do not touch the device's housing bare hands during its operation (housing becomes hot)!

For replacement use lamps and fuses of same type and rating only.

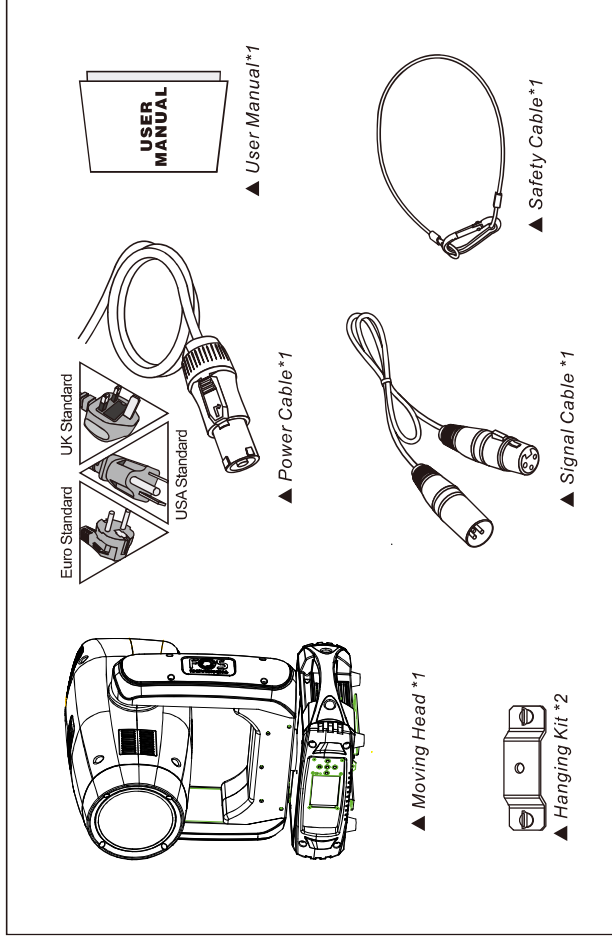
CAUTION ! EYE DAMAGES !
 Avoid looking directly into the light source
 (meant especially for epileptics) !

11	9				
12	10	0..255		Cyan 0%...100% Magenta	
13	11	0..255		Magenta 0%...100% Yellow	
14	12	0..255		Yellow 0%...100% CTO	
15	13	0..255		Configure To Order 0%...100% Focus	
16	14	0..255		In(near) to out(far) Zoom	
17	15	0..5 6..127 128..255		In(near) to out(far) Prism Prism OFF Prism 1 ON Prism 2 ON	
18	16	0..127 128..189 190..193 194..255		Rrotating Prism Prism rotation stop Forwards rotation from fast to slow Prism rotation stop Forwards rotation from slow to fast	
19	17	0..191 192..223 224..255		Iris Max. diameter to Min.diameter Pulse opening fast to slow Pulse closing slow to fast	
20	18	0..199 200..255		Frost Frost OFF Frost ON	
21	19	0..225 226..235 236..245 246..255		Speed pan/tilt max to min speed blackout by movement blackout by all wheel changing no function	
22	20	0..19 20..29 30..39 40..79 80..84 85..87 88..90 91..93 94..96 97..99 100..119 120..139		Special function No function No function No function No function All Motor reset Scan motor reset Colbrs motor reset Gobo motor reset No function Other motor reset Internal program 1 Internal program 2	

6	4	80..99	Gobo 1 shake slow to fast
		100..119	Gobo 2 shake slow to fast
7	5	120..139	Gobo 3 shake slow to fast
		140..159	Gobo 4 shake slow to fast
		160..179	Gobo 5 shake slow to fast
		180..199	Gobo 6 shake slow to fast
		200..219	Gobo 7 shake slow to fast
		220..255	Rot. gobo wheel cont. rotation slow to fast
		0..127	Gobo 1 rotation Gobo indexing
		128..189	Forwards gobo rotation from fast to slow
		190..193	Gobo rotation stop
		194..255	Backwards gobo rotation from slow to fast
8	6		Gobo wheel 2 Hole with spot
		0..9	
		10..19	Gobo 1
		20..29	Gobo 2
		30..39	Gobo 3
		40..49	Gobo 4
		50..59	Gobo 5
		60..69	Gobo 6
		70..79	Gobo 7
		80..89	Gobo 8
		90..99	Gobo 9
		100..109	Gobo 10
		110..119	Gobo 11
		120..129	Gobo 1 shake slow to fast
		130..139	Gobo 2 shake slow to fast
		140..149	Gobo 3 shake slow to fast
		150..159	Gobo 4 shake slow to fast
		160..169	Gobo 5 shake slow to fast
170..179	Gobo 6 shake slow to fast		
180..189	Gobo 7 shake slow to fast		
190..199	Gobo 8 shake slow to fast		
200..209	Gobo 9 shake slow to fast		
210..219	Gobo 10 shake slow to fast		
220..229	Gobo 11 shake slow to fast		
230..255	Gobo wheel rotation from slow to fast		
9	7		Shutter Shutter closed shutter open
		0..31	
		32..63	
		64..95	Strobe effect slow to fast
		96..127	shutter open
		128..159	Pulse-effect in sequences slow to fast
		160..191	shutter open
192..223	Random strobe effect slow to fast		
224..255	shutter open		
10	8	0..255	Dimmer Dimmer 0%...100%

2.UNPACKING

The FOS NOX adopts a 470W white LED lamp which features high brightness and stability. Please carefully unpack it when you receive the fixture and check whether it is damaged during the transportation. And please check whether the following items are included inside the box:



The FOS NOX is made of a new type of high temperature strength of engineering plastics and cast aluminum casing with nice outlook. The fixture is designed and manufactured strictly following CE standards, complying with international standard DMX512 protocol. It is available independently controlled and linkable with each other for operation. And it is applicable for large-scale live performances, theater, studio, nightclubs and discos.

This manual covers the important information on installation and applications. Meanwhile, please keep this manual well for future needs.

3. TECHNICAL INFORMATION

SPECIFICATIONS:

- 1* 470W white led lamp, 7500K, 50000 hours life span.
- Input Voltage: AC90-260V 50/60Hz
- Power Consumption: 524W
- Control Signal: DMX512, master-slave and sound activated or auto operation (8 built-in programs)
- Control Channel: 21/19 DMX channels USITT DMX-512.
- Dimensions: 389(D)x269(W)x670(H)mm
- Packing Dimensions: 550(D)x465(W)x655(H)mm
- Net Weight: 25kgs
- Gross Weight: 28kgs

FEATURES:

- Low power consumption
- Linear motorized zoom with 3.6°-36° spot angle, 10°-60° smooth electronic linear zoom
- 2.5m-15m electric focus
- Fast and smooth linear IRIS system
- Linear CMY+CTO
- 4 facet and 8 facet prism
- 0-100% Linear LED dimmer
- Aperture effect: 5% -100% smooth adjustment of the focal length.
- DMX512, master-slave and sound activated or auto operation
- 25T/sec high speed LED shutter/strobe effect with variable speed
- Preset variable/random strobe and dimming pulse effect
- 2.8" TFT LCD touch display (320*240pix) with 4 control buttons
- Powercon IN/OUT
- 3-Pin XLR connectors IN/OUT
- IP20 protection rating
- 55dB at 3'dB rating
- 2*1/4 turn fastening Omega clamps

MOVEMENT:

- 8/16 bit smooth and precise resolution for PAN/TILT movement
- 540°/630°/360°/PAN and 270°/180°/90° TILT movement

Gobo Wheel&Color Wheel



CMY + CTO Wheel

0%	Cyan	100%
0%	Magenta	100%
0%	Yellow	100%
0%	CTO	100%

COLORS:

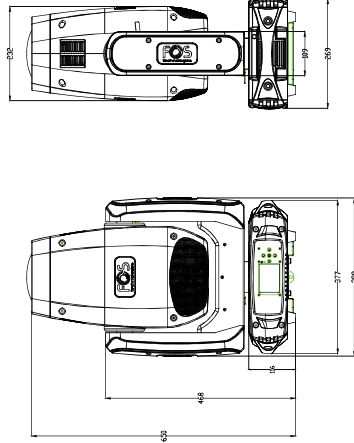
- 1 Color wheel with 5 colors plus open

GOBOS:

- 1 Static gobo wheel with 11 gobos plus open
- 1 Rotatable gobo wheel with 7 rotatable and interchangeable glass gobos plus open with speed adjustable, stream effect, dithering effect and rotatable clockwise or anticlockwise
- Rotatable gobo wheel can be Gobo indexing

FUNCTION:

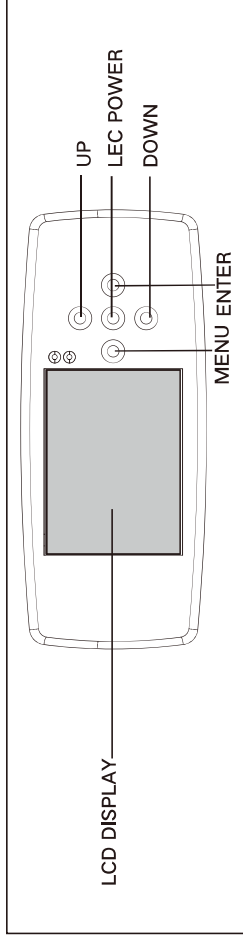
- Improved optics and flat beam field
- Variable direction rainbow effect with speed adjustable
- Fan cooling system
- Constant temperature readout and management function
- -35°C ~ 45°C max ambient temperature



9. DMX PROTOCOL

Mode/Channel	Value	Function
22CH		
20CH		
1	0..255	Pan PAN Movement
2	0..255	Pan-fine Fine control of Pan movement
3	0..255	Tilt Tilt Movement
4	0..255	Tilt-fine Fine control of Tilt movement
	0..19	Color wheel
	20..39	Open / white
	40..59	Color 1
	60..79	Color 2
	80..99	Color 3
	100..127	Color 4
	128..189	Color 5
	190-193	Forwards rainbow effect from fast to slow Color rotation stop
	194..255	Backwards rainbow effect from slow to fast Color wheel (Mode 2)
	0..9	Open / white
	10..19	White + Color 1
	20..29	Color 1
	30..39	Color 1 + Color 2
	40..49	Color 2
	50..59	Color 2 + Color 3
	60..69	Color 3
	70..79	Color 3 + Color 4
	80..89	Color 4
	90..99	Color 4 + Color 5
	100..109	Color 5
	110..127	Color 5 + White
	128..189	Forwards rainbow effect from fast to slow Color rotation stop
	190-193	Color rotation stop
	194..255	Backwards rainbow effect from slow to fast Gobo wheel 1
	0..9	Open
	10..19	gobo 1
	20..29	gobo 2
	30..39	gobo 3
	40..49	gobo 4
	50..59	gobo 5
	60..69	gobo 6
	70..79	gobo 7
5		
6		

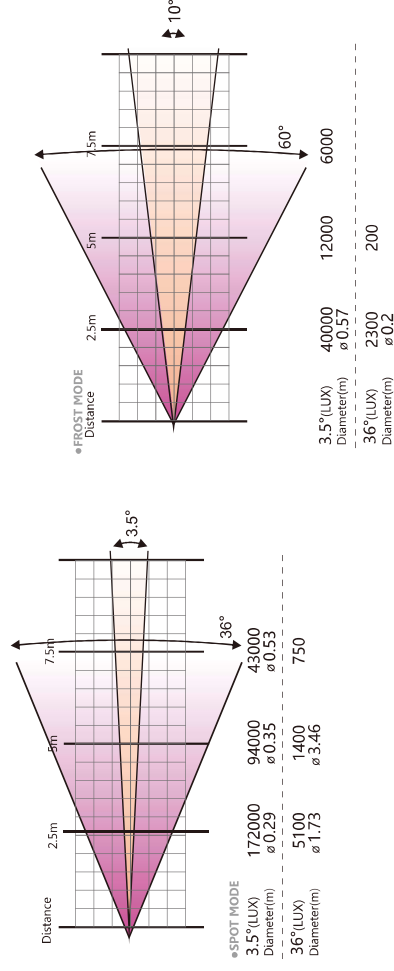
8. MENU OPERATIONS



MENU	Description
Dmx Address	A001~AXXX
Channel Mode	CH22 CH20
Auto Run	Internal Program 1~9 Master/Alone
Music Control	Internal Program 1~9 Master/Alone
Reset Default	Yes/No
Signal Set	Wire DMX Wireless DMX Act WDMX & Out
Reverse Pan	(On/Off)
Reverse Tilt	(On/Off)
Select Pan	630°/540°/360°
Select Tilt	270°/180°/90°
Mic sensitivity	0~99%
OFF Signal Mode	(On/Off)
Half Color Wheel	(On/Off)
Touch Control	(On/Off)
Scan Faset Mode	(On/Off)
Channel	PAN=XXX.....
Temperature	XXX°C/°F
Software Version	V1.0~V9.9
Total Reset	
Pan/Tilt Reset	
Color Reset	
Gobo Reset	
The Others Reset	
Calibration	PAN=XXX.....
UID Code	XX XX XX XX XX XX

Special button instruction: press "Up" and "DOWN" at the same time for 3 second, display up side down; press "DOWN" and "Enter" at the same time for 3 second, change Chinese and English menu.

4. PHOTOMETRICS DIAGRAM



5. OPERATION INSTRUCTIONS

- The FOS NOX is for spot effect for on-site decoration purpose.
- Don't turn on the fixture if it's been through severe temperature difference like after transportation because it might damage the light due to the environment changes. So make sure to operate the fixture until it is in normal temperature.
- This light should be kept away from strong shaking during any transportation or movement.
- Don't pull up the light by only the head, or it might cause damages to the mechanical parts.
- Don't expose the fixture in overheating, moisture or environment with too much dust when installing it. And don't lay any power cables on the floor. Or it might cause electronic shock to the people.
- Make sure the installation place is in good safety condition before installing the fixture.
- Make sure to put the safety chain and check whether the screws are screwed properly when installing the fixture.
- Make sure the lens is in good condition. It's recommended to replace the units if there are any damages or severe scratches.
- Make sure the fixture is operated by qualified personnel who knows the fixture before using.
- Keep the original packages if any second shipment is needed.
- Don't try to change the fixtures without any instruction by the manufacturer or the appointed repairing agencies.
- It is not in warranty range if there are any malfunctions from not following the user manual to operate or any illegal operation, like shock short circuit, electronic shock, lamp broke, etc.

6. INSTALLATIONS

Cautions:

For added protection mount the fixtures in areas outside walking paths, seating areas, or in areas where the fixture might be reached by unauthorized personnel.

Before mounting the fixture to any surface, make sure that the installation area can hold a minimum point load of 10 times the device's weight.

Fixture installation must always be secured with a secondary safety attachment, such as an appropriate safety cable.

Never stand directly below the device when mounting, removing, or servicing the fixture.

from a ceiling, or set on a flat level surface (see illustration below). Be sure this fixture is kept at least 0.5m (1.5 ft) away from any flammable materials (decoration etc.).

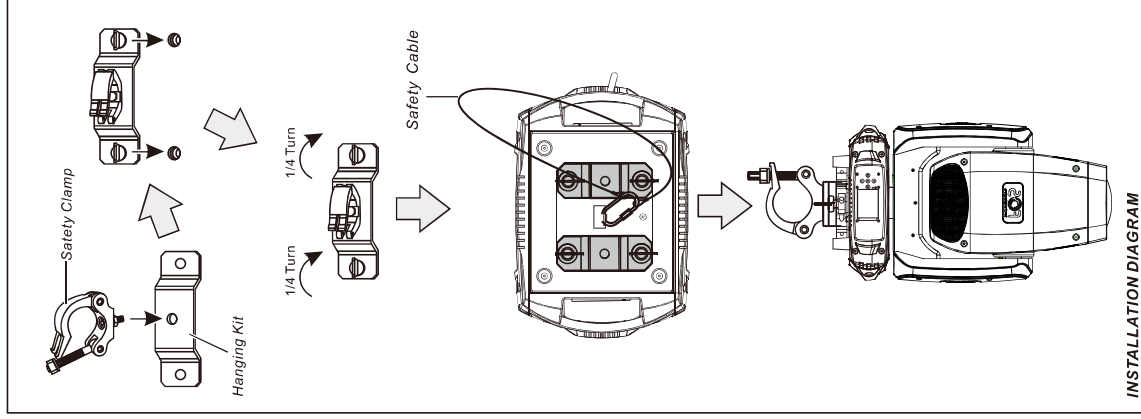
Always use and install the supplied safety cable as a safety measure to prevent accidental damage and/or injury in the event the clamp fails.

Mounting points:

Overhead mounting requires extensive experience, including amongst others calculating working load limits, a fine knowledge of the installation material being used, and periodic safety inspection of all installation material and the fixture, if you lack these qualifications, do not attempt the installation yourself. Improper installation can result in bodily injury. Be sure to complete all rigging and installation procedures before connecting the main power cord to the appropriate wall outlet.

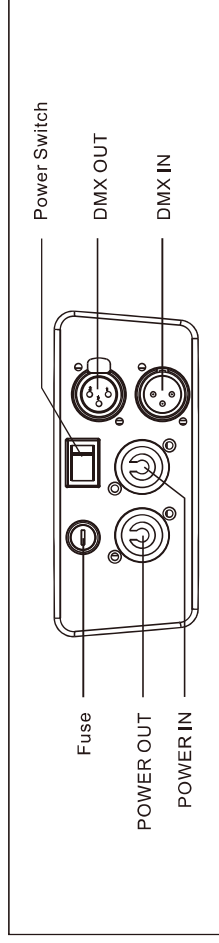
Clamp Mounting:

FOS NOX provides a unique mounting bracket assembly that integrates the bottom of the base, and the safety cable rigging point in one unit (see the illustration below). When mounting this fixture to truss be sure to secure an appropriately rated clamp to the included omega bracket using a M10 screw fitted through the center hole of the "Hanging Kit". As an added safety measure be sure to attached at least one properly rated safety cable to the fixture using on of the safety cable rigging point integrated in the base assembly .



INSTALLATION DIAGRAM

7. CONTROL CONNECTION



Connect the provided XLR cable to the female 3-pin XLR output of your controller and the other side to the male 3-pin XLR input of the moving head. You can chain multiple Moving head together through serial linking. The cable needed should be two core, screened cable with XLR input and output connectors. Please refer to the diagram below. DMX-512 connection with DMX terminator.

For installations where the DMX cable has to run a long distance or is in an electrically noisy environment, such as in a discotheque, it is recommended to use a DMX terminator. This helps in preventing corruption of the digital control signal by electrical noise. The DMX terminator is simply an XLR plug with a3 resistor connected between pins 2 and 3, which is then plugged into the output XLR socket of the last fixture in the chain. Please see illustrations below.

